

SPECIFICATION FOR APPROVAL

Customer : UKLK

Customer P/N : _____

Product Type : Integert Lamp

Product No. : LF04702

Issue Date : 2019.07.22

Prepared By			
Checked By	R&D	DQE	QC
Approved By			

Web: www.lumatek-lighting.com

Contents

1. Description	1
2. Function and parameters	2
2.1 Parameters.....	2
2.2 Recommended Matching Lamps.....	4
2.3 Remote Wire Communication Function.....	5
2.4 Protection.....	6
3. Environment	7
4. Safety	7
4.1 Surface Temperature Rise.....	7
4.2 Leakage Current.....	7
4.3 Insulation Resistance.....	7
4.4 Dielectric Withstand Voltage (HI-POT).....	7
4.5 Grounded Resistance.....	7
4.6 Regulatory Standards.....	7
5. EMC	8
5.1 EMI.....	8
5.2 EMS.....	8
6. Physical Dimension	9
7. Input	10
8. Output	11
9. Packing	12
10.Mark	13

1. Description

This is an 1000W integert lamp with 3.5mm headphone jack interface that can be connected to external controller. Input voltage is 400V,50/60Hz. Dimming range can be 60%-70%-80%-90%-100%. It will delay 0-6s ignition randomly. It can match well with 1000W DE lamps.

Date	Prepared	Checked	Item No	LF04702

2. Function and parameters

2.1 Parameters

2.1.1 Input Characteristics

Parameter	Conditions	Min	Type	Max	Units
Mains Voltage	Operational Voltage	360	400	440	V
	Safe Voltage	340	400	460	
Mains Frequency f_{mains}	Operational Frequency	48	50/60	63	Hz
	Safe Frequency	45	50/60	66	
Mains Power P_{mains}	P=100%	1021	1053	1084	W
	P=90%	900	930	960	
	P=80%	795	825	855	
	P=70%	690	720	750	
	P=60%	590	620	650	
Mains Current I_{mains}	$V_{\text{mains}} = 400\text{V}$	2.6	2.7	2.8	A
Power Factor	P=100%	0.97	0.98	--	--
THD	P=100%	--	--	10%	--
Inrush Current	$V_{\text{mains}} = 400\text{V}$ $T_a = 25^\circ\text{C}$, cold start	--	--	30	A
Pulse Duration		--	--	0.8	ms

Note: The certified current of this product is :3.3A.

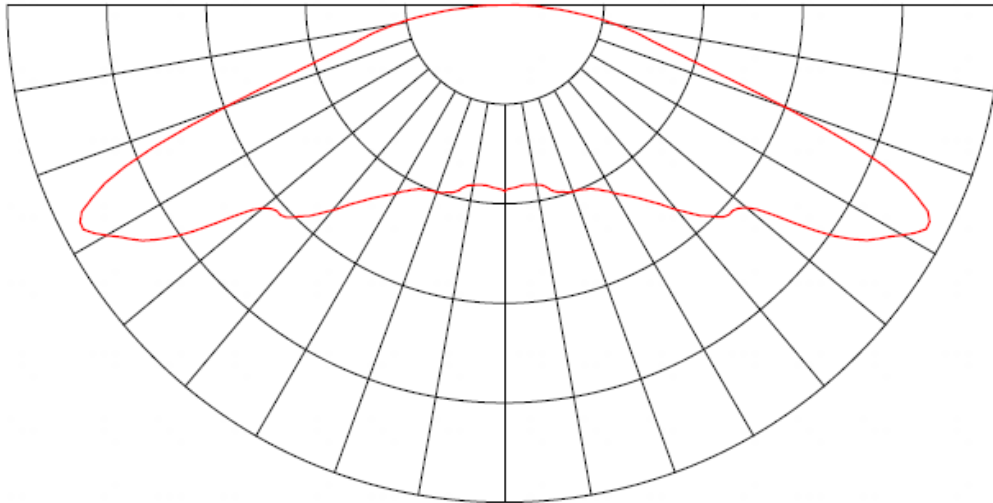
Date	Prepared	Checked	Item No	LF04702

2.1.2 Output Characteristics

Parameter	Conditions	Min	Type	Max	Units
Lamp Frequency f_{lamp}	P=100%	110	120	130	KHz
Efficiency(%)	P=100%	95	96	--	--
Lamp Power P_{lamp}	P=100%	970	1000	1030	W
	P=90%	870	900	930	
	P=80%	770	800	830	
	P=70%	670	700	730	
	P=60%	570	600	630	
Lamp Voltage	1000W DE	210	230	250	V
Ignition Voltage	$C_{load} < 100pF$	3000	4000	5000	V
Ignition Interval	--	1-5-5-5-5			Min

Date	Prepared	Checked	Item No	LF04702

2.1.3 distribution curve flux



Vertical Plane Through Horizontal Angles (0-180°), 163DEG

2.2 Recommended Matching Lamps

Lamp	LUMATEK 1000W HPS
	LUMATEK 1000W CMH
	USHIOAHS-DE 1000/OPTI-RED
	BLV DE 400V/1000W
	AGROSUN DOUBLE ENDED 2100K
	Eye Hortilux® LU 1000 DE/HTL Double-Ended
	AUVL ADVNCED UV LIGHT 1000W 400V
	PHILIPS MASTER GREEN POWER PLUS 1000W EL

Date	Prepared	Checked	Item No	LF04702

2.3 Remote Wire Communication Function

2.3.1 Remote Dimming

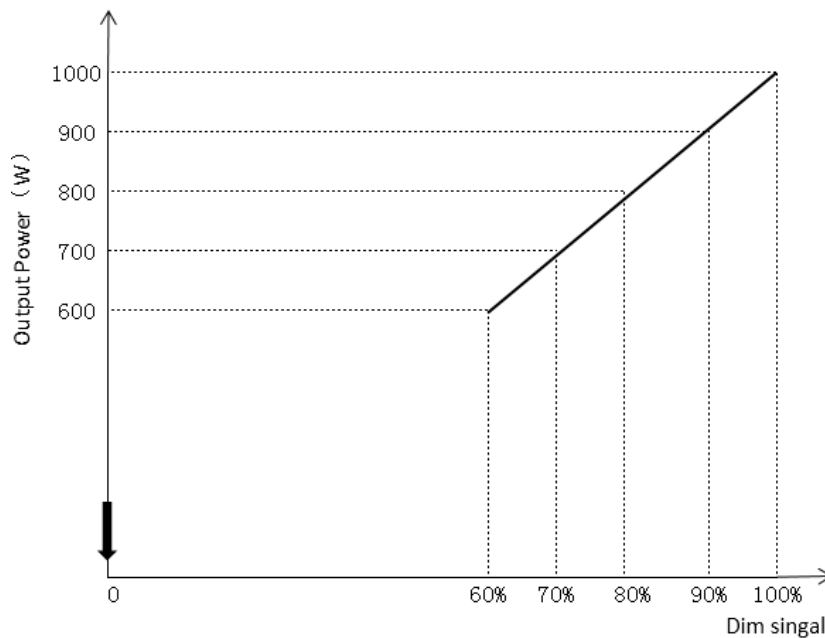
All output specifications are reported as a percentage of the full ballast rating,

EXP: 80% of 1000W ballast = 800W

Output Mapping Equation (W): (Dimming ratio) * ballast rating = Output.

Note: 1. Dimming accuracy is 3% (as per the output power of $V_{mains} = 400V$).

2. when the dimming ratio is 0%, the ballast will be off ; user can set the parameters show in the 60%-100%.



2.3.2 Remote Control Function

- ✧ It can control remotely the ballast's on/off/dimming rate.
- ✧ Group control mode: it can control the state of a set of products .
- ✧ Single lamp control mode : it can control the state of a single product.
- ✧ Sun rise and set : When the SR/SS set time is 0min, the ballast will power on/off as its own speed, actually, it's exactly same as Power on/off.

Date	Prepared	Checked	Item No	LF04702

2.4 Protection

2.4.1 Open Circuit Protection

When output is shut off, the ballast will power off for open circuit protection. When errors are removed and the power is re-applied to the product, it can work normally.

2.4.2 Short Circuit Protection

When output is shorted, the ballast will power off for short circuit protection. When errors are removed and the power is re-applied to the product, it can work normally.

2.4.3 Over Temperature Protection

When $T_a > 40^\circ\text{C}$, the ballast will shut off for high temperature protection. When the temperature drop to normal and the power is re-applied to the product, it can work normally.

2.4.4 Lamp END of Life/Rectification

The ballast will be not damaged when the rectification appears at the end of the lamp life. When replacing a new lamp and the power is re-applied, it can work normally.

2.4.5 Over-voltage/ Low-voltage Detect Protection

Protection happens when input voltage is below 340V or up to 460V (Output power will drop to 80% when input voltage is 340-360V). When input voltage is back to normal, the ballast can work normally.

Note: Voltage accuracy is 3%.

2.4.6 LED Status

Status	LED
Ballast locked	Flash*1
Output errors	Flash*2
Low input voltage	Flash*3
Over temperature	Flash*4
Lamp fault	Flash*5
High input voltage	Flash*6

Date	Prepared	Checked	Item No	LF04702

3. Environment

Environment \ Conditions	Operating	Shipping and Storage
3.1 Temperature	-20°C--+40°C	-40°C--+70°C
3.2 Humidity	20%--90%, non-condensing	10%--95%, non-condensing
3.3 Vibration	Amplitude:0.035mm	Amplitude:0.15mm
	Frequency: 10-150Hz	
	est time in any Direction: 30min	
	Sweep velocity: 1oct/min	
3.4 waterproof and dustproof	IP20	

4. Safety

4.1 Surface Temperature Rise

When output power is 1000W, ambient temperature is 25°C and input voltage is 400Vac, the surface temperature rise will be less than 40°C.

4.2 Leakage Current

0.75mAmax V mains=400V/60Hz.

4.3 Insulation Resistance

The insulation resistance shall be no less than 2M ohm after application of 500Vdc for 60s.

4.4 Dielectric Withstand Voltage (HI-POT)

L,N-PE:1800Vac 5.5mAmax/60s.

4.5 Grounded Resistance

<0.13Ω,30A,120s.

4.6 Regulatory Standards

EN 61347-1 : 2008

EN 61347-2-12 : 2005

Date	Prepared	Checked	Item No	LF04702

5. EMC

5.1 EMI

EN55015

Limit value of radio disturbance characteristics of electrical lighting and similar equipment.

5.2 EMS

5.2.1 Surge Immunity

IEC 61000-4-5:

L-N: $\pm 1\text{KV}$;

L/N-PE: $\pm 2\text{KV}$.

5.2.2 Electrical Fast Transient

IEC 61000-4-4:

L-N-PE : $\pm 1\text{KV}$.

5.2.3 Voltage Dips and Interruptions Immunity

IEC 61000-4-11:

Drop: 30% ;cycles: 10;

Drop: 100% ;cycles: 0.5.

5.2.4 Electrostatic Discharge Immunity

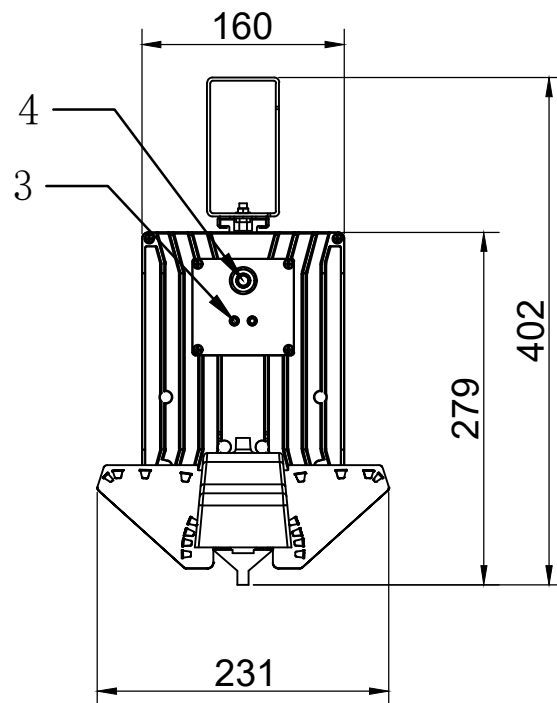
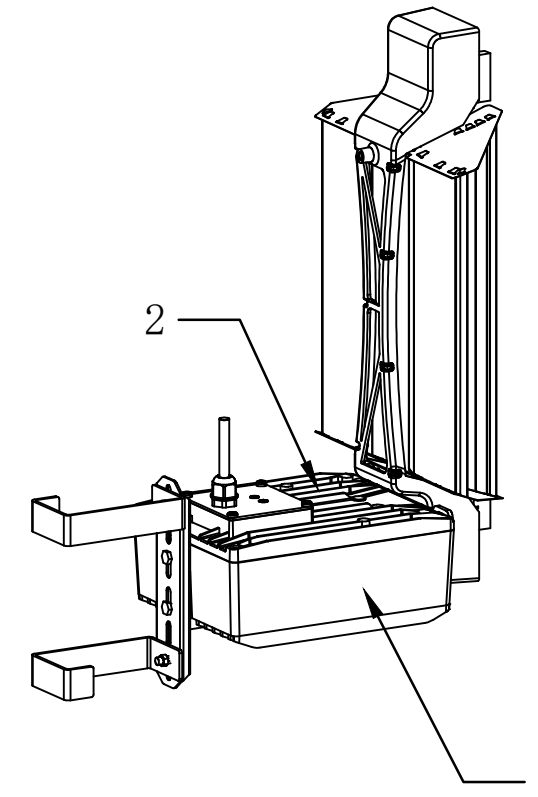
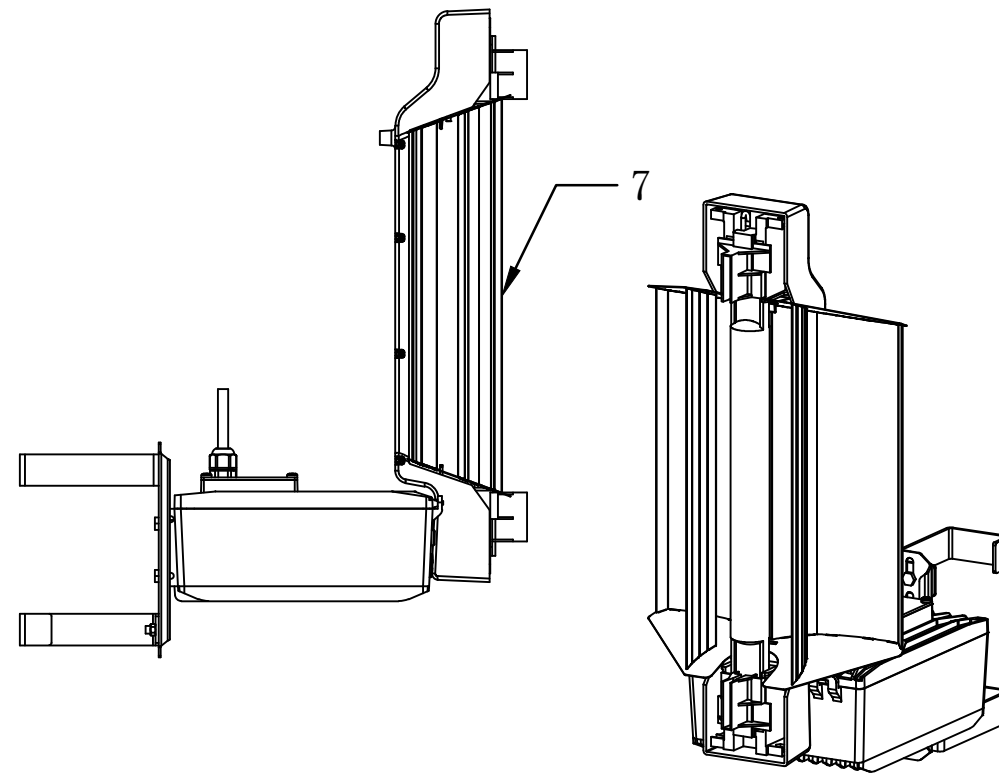
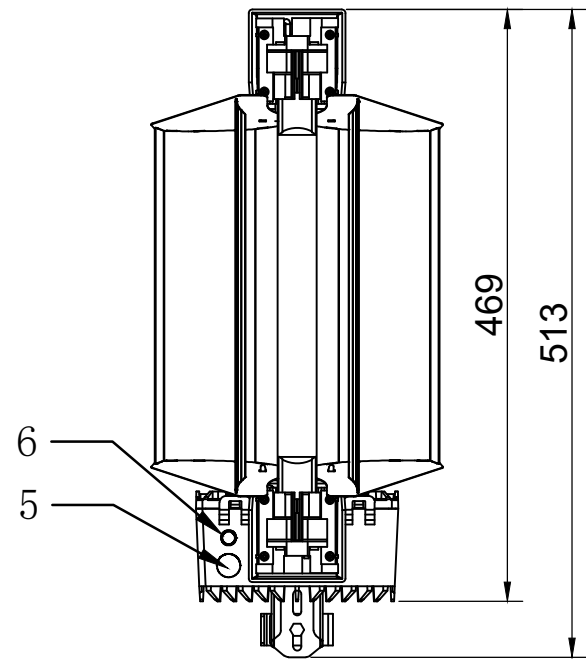
IEC 61000-4-2:

Contact discharge: $\pm 4\text{KV}$;

Air discharge: $\pm 8\text{KV}$.

Date	Prepared	Checked	Item No	LF04702

Physical Dimension



Item	Part Name	Q'ty	Remark
1	Cover	1	White
2	Cover	1	White
3	Headphone hole	1	White
4	Strain Relief Bushing	1	White
5	Transmitter plug	1	White
6	Breathing	1	Black
7	Lampshade	1	---

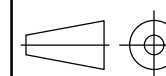
Physical Dimension	
Material	Aluminium
Dimension	279×231×469
Weight	TBDKg

These drawings and specifications are the property of LUMATEK Ltd. And shall not be reproduced or used as the basis for the manufacture or sell of apparatuses or devices without permission.



LUMATEK Ltd.

Dimensional Tolerances		Holes:±0.05		Angles:±0.5°	
(V)		()		()	
<30	±0.25	Decimals	Up~100 ±0.2	250~300 ±0.4	Up~600 ±1.5
>30~100	±0.35	.X	100~150 ±0.25	300~350 ±0.45	600~900 ±2.4
>100~300	±0.5	X.X	150~200 ±0.3	350~400 ±0.5	900~Over:±3.1
Above300	±0.6	X.XX	200~250 ±0.35		



First Angle Projection

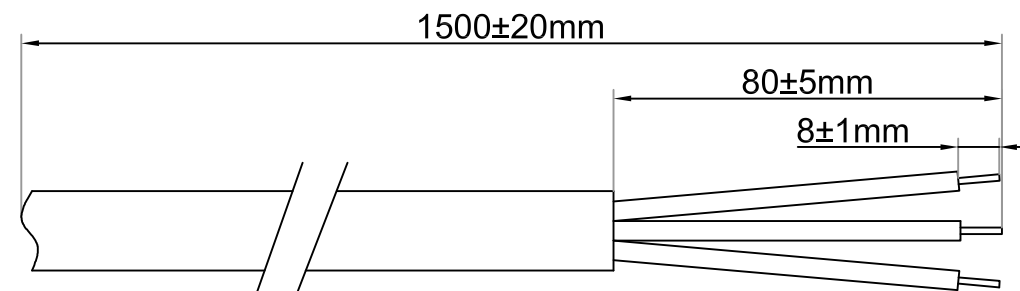
Description:		REV P00
Part No:		
Used On:	LF04702	

SIZE
A3

Scale	---	Unit	mm	Sheet 1 Of 1	Issue Date:
-------	-----	------	----	--------------	-------------

Drawn:	Design:
--------	---------

7 Input

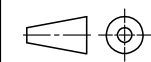


Technical requirements:
 1. Specifications: VDE H05VV-F 3×1.0mm² 70°C

These drawings and specifications are the property of LUMATEK Ltd. And shall not be reproduced or used as the basis for the manufacture or sell of apparatuses or devices without permission.



LUMATEK Ltd.

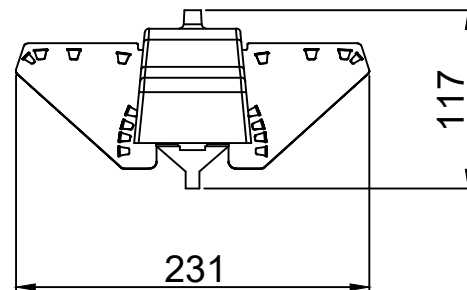
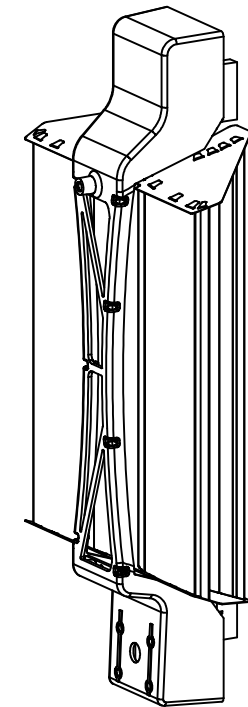
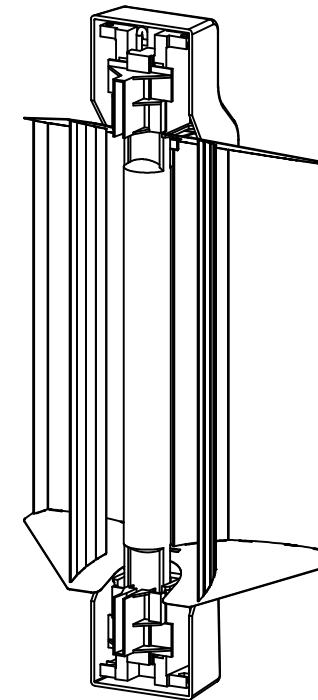
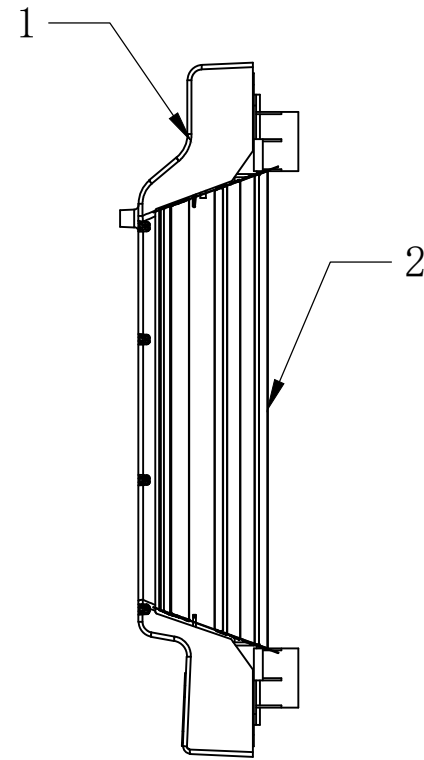
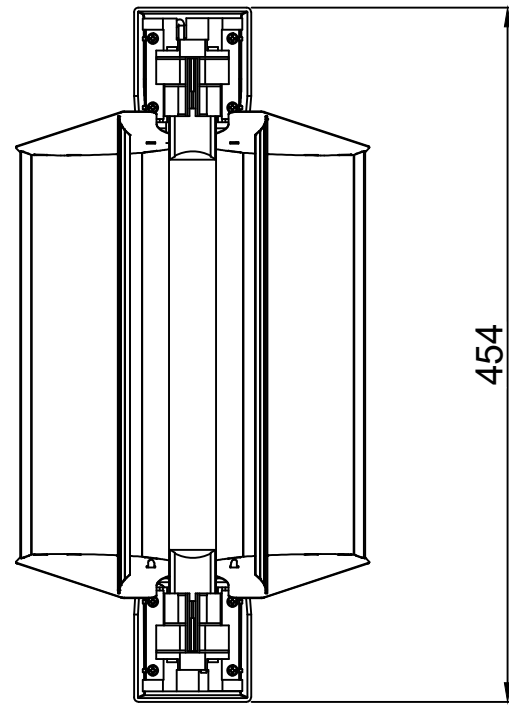


First Angle Projection

Description:	Input	REV P00 SIZE A3
Part No:	--	
Used On	LF04702	

Scale	--	Unit	mm	Sheet 1 Of 1	Issue Date:	Drawn:	Design:
--------------	----	-------------	----	----------------------------	--------------------	---------------	----------------

8 Output



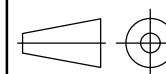
Physical Dimension		Material	Aluminium	Item	Part Name	Q'ty	Remark
Dimension	231×117×454			1	Bracket	1	White
				2	Lampshade	1	Aluminum bright colors

These drawings and specifications are the property of LUMATEK Ltd. And shall not be reproduced or used as the basis for the manufacture or sell of apparatuses or devices without permission.



LUMATEK Ltd.

Dimensional Tolerances (V)		Holes: ±0.05 ()		Angles: ±0.5° ()	
<30	±0.25	Up~100	±0.2	250~300	±0.4
>30~100	±0.35	100~150	±0.25	300~350	±0.45
>100~300	±0.5	150~200	±0.3	350~400	±0.5
Above300	±0.6	200~250	±0.35	900~Over	±3.1



First Angle Projection

Description:		REV P00
Part No:		SIZE A3
Used On:	LF04702	

Scale	---	Unit	mm	Sheet 1 Of 1	Issue Date:	Drawn:	Design:
-------	-----	------	----	--------------	-------------	--------	---------