

# HELLION® DE LAMP ADAPTOR

## INSTALLATION INSTRUCTIONS

### STEP 1 Connect Wings



Connect Wings by aligning button rivets with keyhole slots. Slide to lock in place.

### STEP 2 Attach DE Adaptor



Place the DE Lamp Adaptor against the under side of the Wings and attach using the thumb screws and hanging brackets provided.

### STEP 3 Insert Wire



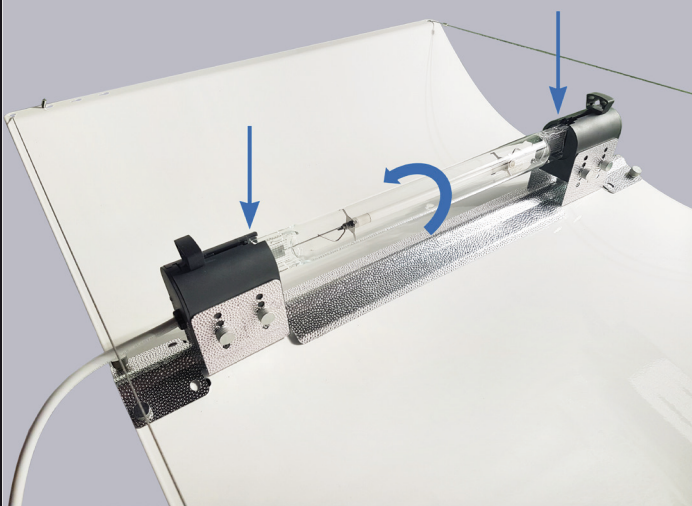
Select one Adjustment Wire and thread end portion (end with single stopper) through first keyhole, then thread it back through one of the other keyholes as shown. This action locates the wire and presets the reflectors width.

### STEP 4 Form Wing Shape

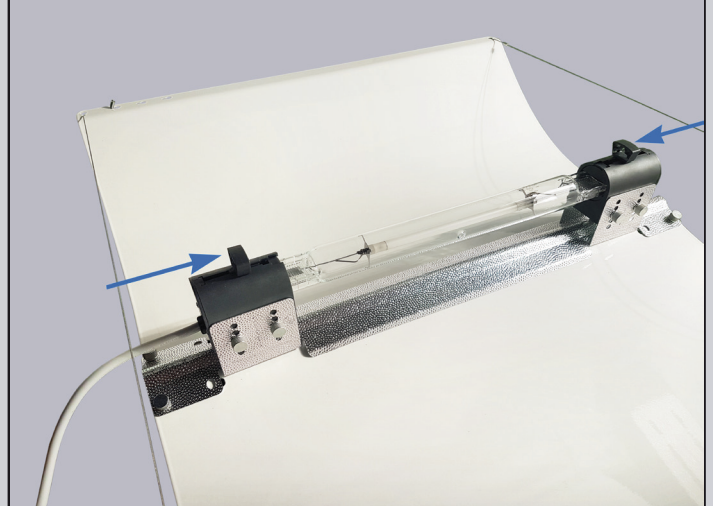


While holding the opposite end of the Adjustment Wire (end with 2 stoppers) carefully flex the wings into shape and lock the End stopper into the single keyhole provided.

Repeat steps 3 & 4 at the other end.

**STEP 5****Insert Lamp**

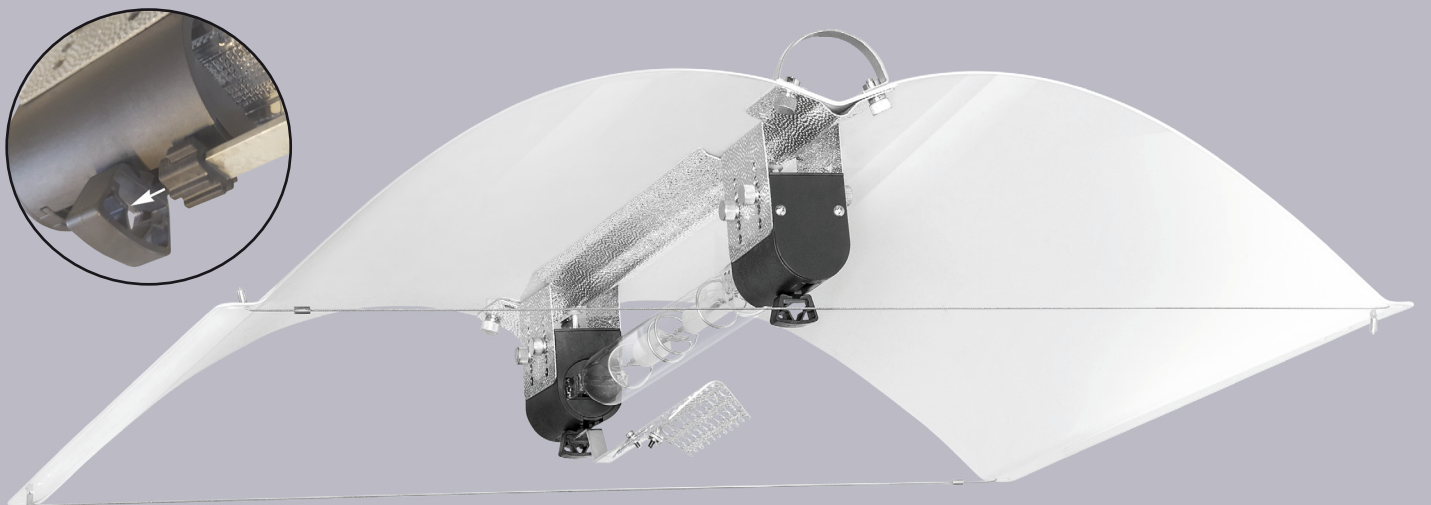
Slide DE Lamp into verticle slots at each end of the Lamp Adaptor, making sure the power wires at each end are perfectly straight and remain straight.  
Secure lamp by rotating 90 degrees in the direction shown.

**STEP 6****Secure Lamp**

Lock Lamp in place and engage power by sliding both switches firmly inwards.

\* Install DE Super-Spreader by inserting appropriate end into matching slot in switch head.  
See inset picture below.!

Your Adjust-A-Wings Hellion DE should look like this.



Make sure the Super-Spreader Head is centred & parallel to the Lamp Arc Tube.  
Bend the Super-Spreader Arm carefully if needed.

Vertical adjustments to the DE Lamp Holder provide a method for fine focus/footprint evenness correction.

**SAFETY WARNING!**

Always turn off and disconnect power before making adjustments or changing lamps.  
Turn on power to Ballast only After ALL cables and plugs are properly secured in place.



**ADJUSTAWINGS420**

**WWW.ADJUSTAWINGS.COM**