



HORTILUX
SCHRÉDER

HORTILED® TOP DAYLIGHT

Technical Specifications

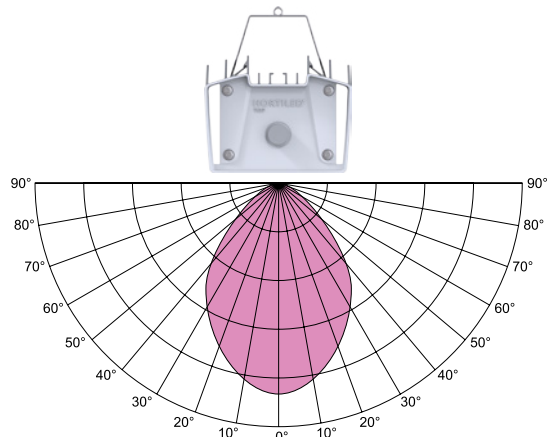


TECHNICAL SPECIFICATIONS HORTILED TOP DAYLIGHT

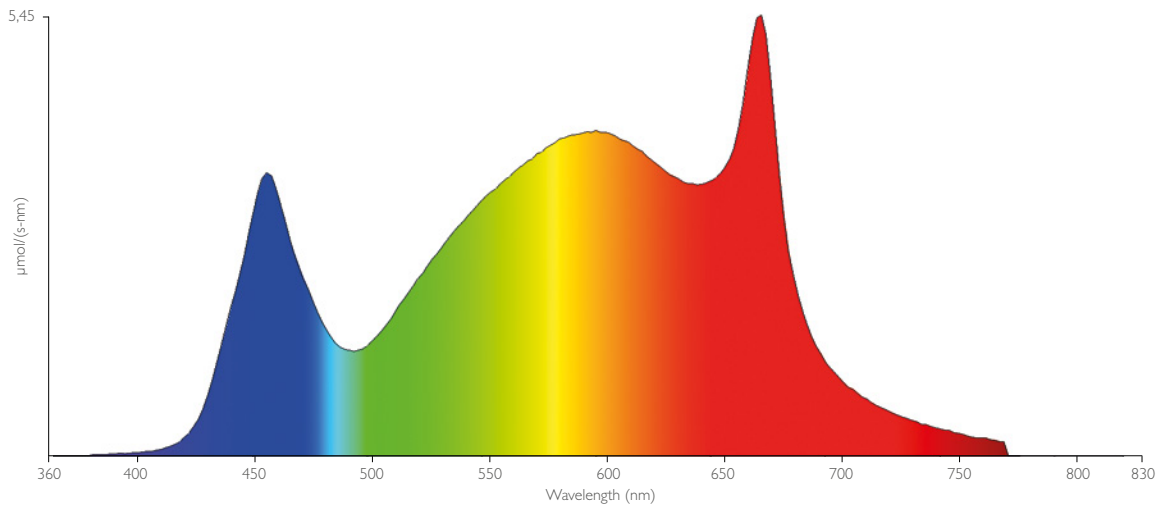
Rated Mains voltage	120-277V L-N	Weight	8.2 kg
Frequency	50Hz – 60Hz	Dimensions	970 x 119 x 95 mm
Current	1.4A typical @ 230V	Output	720 μ mol/s
Rated Power	320 W	CRI	> 90
Inrush current	< 55A	Lifetime	L90B10 35,000h
Power factor	> 0.95		

RADIATION PATTERN

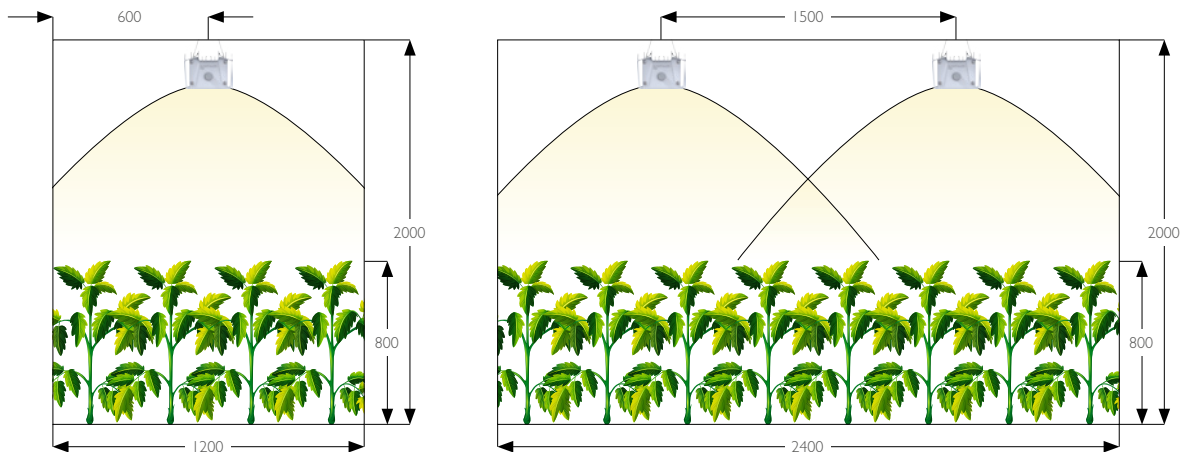
Available with an 80° radiation pattern for an optimal balance between outstanding uniformity and good light penetration into the crop.



DAYLIGHT SPECTRUM



OPTIMAL LIGHT DISTRIBUTION FOR EVERY SITUATION



HORTILUX
SCHRÉDER

Hortilux Schröder b.v., Vlotlaan 412, NL-2681 TV Monster,
T: +31 (0)174 286 628, F: +31 (0)174 286 648,
E: info@hortilux.com, I: www.hortilux.com



Lux Light International
T: +49 6421 88 91 40
E: service@luxlight.de I: www.luxlight.de