

LUMATEK

PROFESSIONAL LIGHTING



MANUAL

100W FULL-SPECTRUM

INDIVIDUAL SUPPLEMENTAL LIGHT LED BAR

ENGLISH - FRENCH - ITALIAN - SPANISH - GERMAN - CZECH - RUSSIAN



UK
CA

5 YEAR
WARRANTY

LUMATEK 100W FULL SPECTRUM INDIVIDUAL SUPPLEMENTAL LED LIGHT BAR MANUAL

ENGLISH

TABLE OF CONTENTS

1. **Introduction**
2. **Product Description**
3. **Product information and specifications**
 - 3.1 General product information
 - 3.2 Technical Specifications
 - 3.3 Fixture Dimensions
 - 3.4 Spectral Quantum Distribution Graph
 - 3.5 Light distribution curve
 - 3.6 Environment
 - 3.7 Legal
4. **Safety recommendations and warnings**
5. **Contents**
6. **Installation**
 - 6.1 Fixture assembly & installation
 - 6.2 Connect & disconnect the driver
 - 6.3 Connecting the manual dimmer or external lighting controller & adjusting light intensity (dimming)
 - 6.4 Connecting fixtures in series for external control
 - 6.5 Connecting the LED fixture to the mains
7. **Inspection, maintenance and repair**
8. **Storage and disposal**
9. **Warranty**

1. INTRODUCTION

Thank you for purchasing the Lumatek 100W Full Spectrum supplemental LED Light Bar. This manual describes how to install and use the light bar; please read this manual thoroughly before attempting to install or operate any Lumatek system. If you are not comfortable with the installation of high performance lighting systems, you should seek the services of a qualified installation professional.

2. PRODUCT DESCRIPTION

The Lumatek 100W Full Spectrum supplemental LED Light Bar is an electronic horticultural LED fixture using a linear strip design with an intelligent remote LED driver making the fixture externally controllable & dimmable. The 100W Full Spectrum supplemental LED Light Bar is an ultra-high performance full-cycle supplemental top lighting solution for commercial horticulture cultivation & indoor farming, with the power and flexibility to scale from propagation and cloning through vegetative growth to supplementing the higher light intensities in bloom.

This versatile LED light bar has the same diodes and produces the same light quantity and spectra as the Zeus Pro 2.9 series light bars but with its own separate 100W remote driver enabling the slim design light bar to be positioned more flexibly for wider applications.

The 100W light bar can be used for the propagation of seeds and clones in a 140 x 25cm area or as a supplemental grow light to fill in areas around existing LED systems or even to boost yield with HID systems.

In this manual the Lumatek 100W Full Spectrum supplemental LED Light Bar will be referred to as: "the LED fixture".

3. PRODUCT INFORMATION AND SPECIFICATIONS

3.1 General Product Information

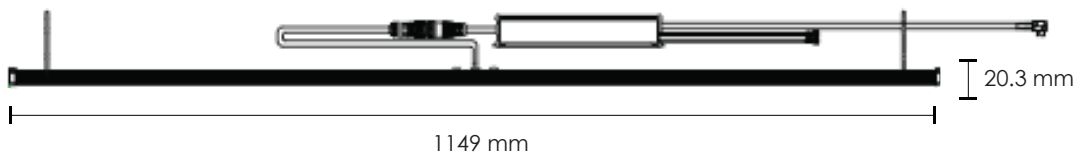
PRODUCT NAME	100W Full Spectrum supplemental LED Light Bar
PRODUCT CODE	LUMLED012
MANUFACTURER	Lumatek Ltd
EAN	5060560031215
PLUG TYPE	UK/EU

3.2 Technical Specifications

PPF	295 $\mu\text{mol/s}$
EFFICACY	Up to 2.9 $\mu\text{mol/J}$
SPECTRUM	Full spectrum F
LIGHT SOURCE	Higher spec LUMILEDS (W) & Osram (R) LED
DIMENSIONS	1148 x 20 x 53mm
WEIGHT	1.1Kg
LIFE SPAN	60000H
WORKING TEMPERATURE	-20° -- +40°C
WORKING HUMIDITY	20% - 90%
WATERPROOF/DUSTPROOF	IP65
BEAM ANGLE	120°
MANUAL DIM/ EXTERNAL LIGHTING	0-10V signal protocol

INPUT VOLTAGE (V)	DIMMING RATIO	INPUT POWER(W)	INPUT CURRENT(A)
Vmains=230V 50/60Hz AC	100%	105	0.48
	75%	84	0.38
	50%	55	0.26
	25%	29	0.17
Vmains=240V 50/60Hz AC	100%	105	0.46
	75%	84	0.37
	50%	55	0.26
	25%	29	0.17
Vmains=277V 50/60Hz AC	100%	105	0.41
	75%	84	0.33
	50%	55	0.24
	25%	29	0.16

3.3 Fixture Dimensions



Light bar cable 4000mm (4m)

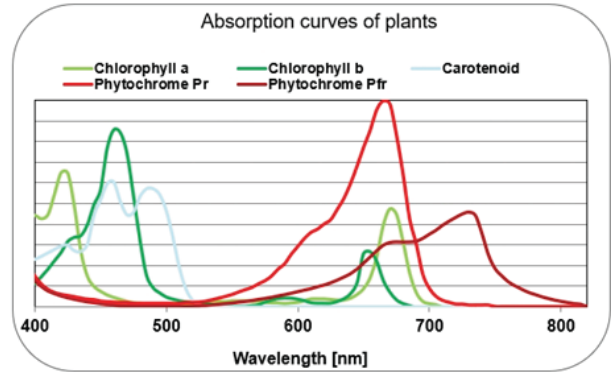
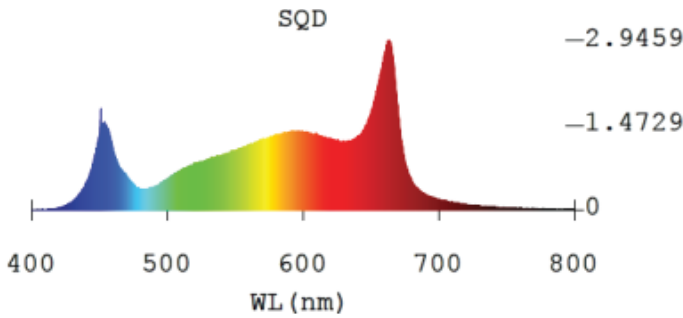
DIM IN cable 300mm

DIM OUT cable 300mm

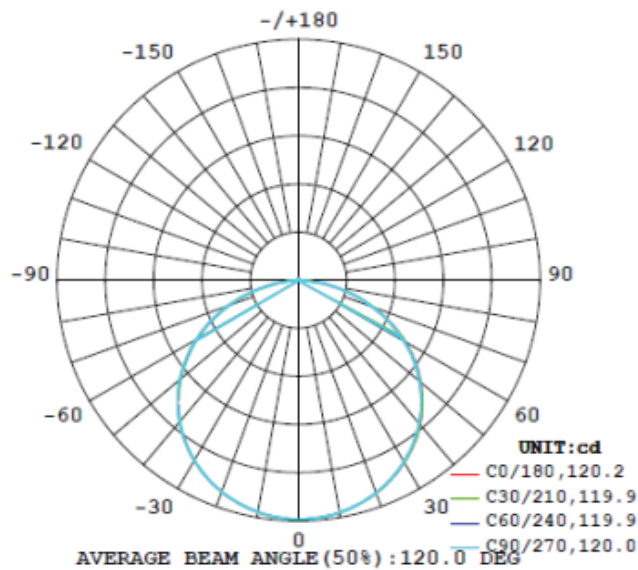
Power INPUT cable 4000mm (4m)

3.4 Spectral Quantum Distribution Graph

The Zeus series light bars use high spec highly efficient top bin LUMILEDS white & Osram red LEDs to create a balanced full spectrum of quality light ideal for photosynthesis. Full Spectrum F has been developed for full cycle crop growth and is slightly weighted for flowering.



3.5 Light distribution curve



3.6 Environment

The LED fixture is intended to be used in climate-controlled grow rooms and indoor farms. The product may be used in damp environments but may not be used in wet environments or outdoors. The product will operate in ambient temperatures from -10°C to 40°C but will function at optimal level between 20°C to 30°C. The product will operate in 20% – 90% humidity, non-condensing.

3.7 Legal

This product is UKCA & CE certified compliant with LVD and EMC directive test standards.

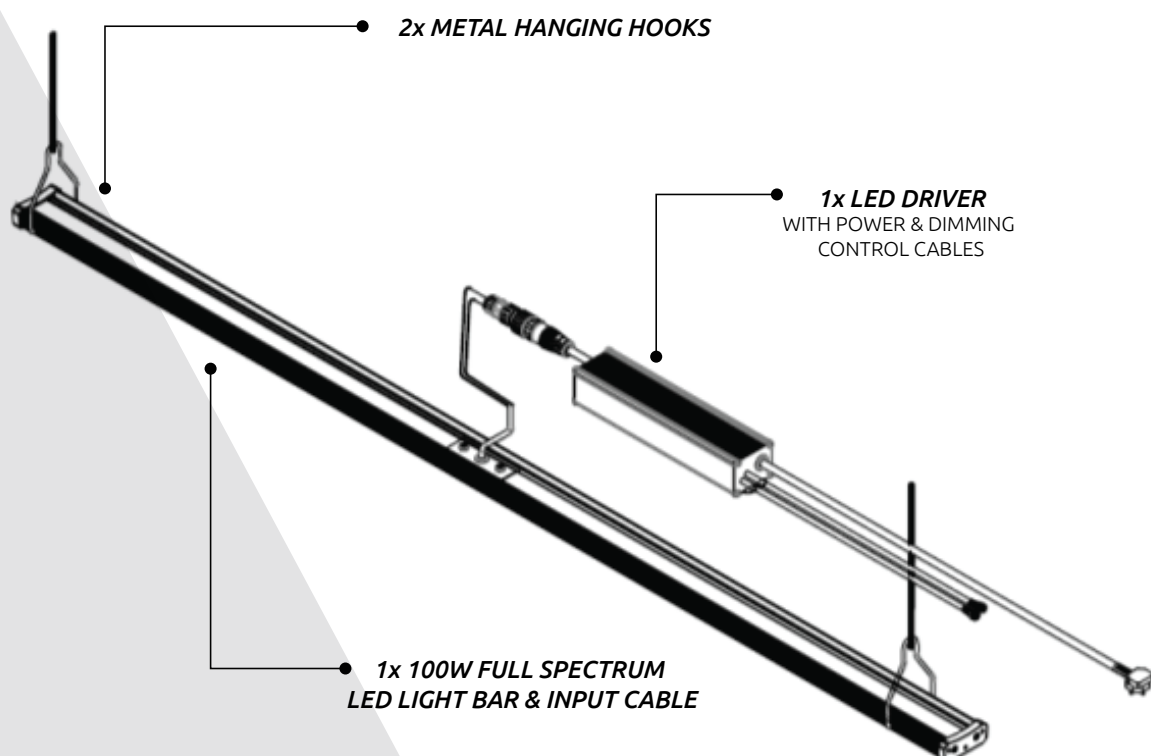
4. SAFETY RECOMMENDATIONS AND WARNINGS

Warning! Carefully read the warnings below before using or working with the product!

- Always adhere to the local rules and regulations when installing or using the LED fixture.
- Do not open or disassemble the LED fixture as it contains no serviceable parts inside. Opening or modifying the LED fixture can be dangerous and will void the warranty.
- Do not use the LED fixture when either the LED fixture or its power cable are damaged. Replace the power cable with correctly rated cable only.
- Modifications to the cables can lead to unwanted electromagnetic effects which may make the product not comply with legal requirements.
- Do not expose the LED fixture to:
Condensing humidity, heavy mist or direct spray;
Ambient temperatures outside the specified range;
Dust and contamination;
Direct sunlight during use or HID light that may heat up the driver.
- Always disconnect the LED fixture from mains before performing any maintenance.
- Always allow for a cool down period of at least 20-30 minutes before touching the LED light bars. Touching the LED bars when the fixture is lit or immediately after may result in burns!
- Natural convection removes heat away from the heatsink. In order for the system to properly cool itself, at least 5cm of space is required between the fixture and the roof of your grow area. Do not use abrasive materials or aggressive cleaning agents to clean the LED fixture as this may damage the secondary optics. Instead use a clean dry fabric/cloth.
- Do not use the LED fixture near flammable, explosive or reactive substances. The LED fixture can reach temperatures of 40°C.
- Do not use sulphur vaporizers or water misters.
- The installation and use of the LED fixture is the responsibility of the end user. Incorrect use or installation can lead to failure and damage to the LED fixture. Damage to the LED fixture and electronic circuitry as a result of incorrect installation and use revokes the warranty.

5. CONTENTS

1x USER MANUAL



6. INSTALLATION

Warning! Mounting and installing the LED fixture must be in accordance with the applicable local laws and regulations.

Warning! The installer is responsible for correct and safe installation.

Warning! Ensure the local cabling can support the voltage and current requirements of the LED fixture.

Warning! Avoid coiled cables and keep mains leads separated to help prevent electromagnetic interference.

Warning! Do not connect or disconnect the LED fixture under load.

6.1 Fixture assembly & installation

WARNING! Mount the system to something that can hold the weight of the LED fixture.

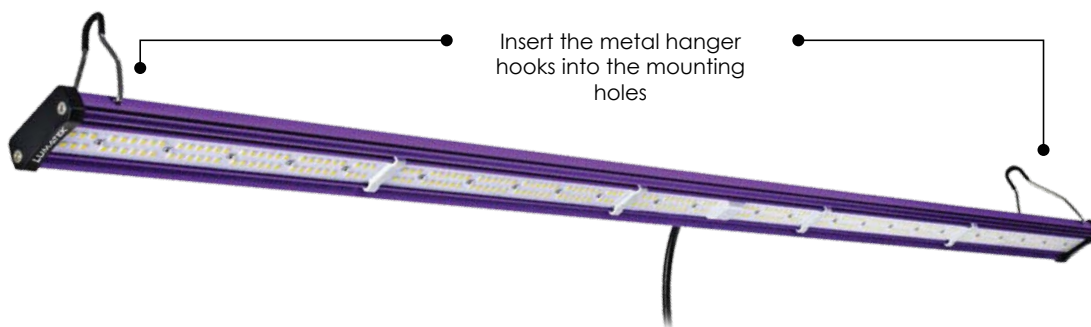
WARNING! The light bar is shipped with a protective plastic cover over the diodes. Please ensure this protective cover is removed before use!

Insert the metal hanger hooks into the mounting holes on each side of the light bar, at both ends.

Hang the fixture in required position and height.

The light bar can be hung horizontally above the plant canopy or vertically at the side for supplemental penetration.

For optimal performance; position fixture 15cm – 40cm from plants.

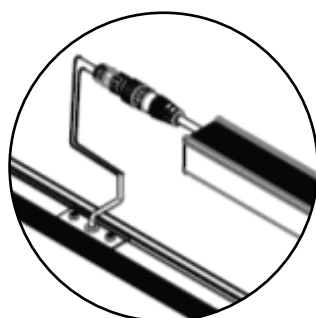


6.2 Connect & disconnect the LED driver

Position the LED driver appropriately ensuring it is not in direct Sun or HID light so as to avoid overheating and not directly on the floor where it might contact water or nutrients.

To connect driver output to the fixture; ensure the driver power OUTPUT cable connector is correctly aligned with corresponding light bar cable connector and push together until click-locked.

To disconnect; turn twist-lock connector anti-clockwise to unlock and pull apart.



Ensure twist-lock connectors are correctly aligned and then push together until click-locked. Turn twist-lock anti-clockwise and pull apart to disconnect.

6.3 Connecting the manual dimmer or external lighting controller & adjusting light intensity (dimming)

The LED fixture's light intensity can be adjusted without changing spectrum or losing efficiency. This means that PPF can be adjusted to the correct level for propagation, cloning, vegetative and flowering growth cycles.

The LED fixture can be connected to a 0-10V manual dimming controller or a Lumatek Control Panel Plus/universal lighting controller (all sold separately) via the DIM IN dimming cable on the driver allowing light intensity (PPF level) to be adjusted between 20% - 100% light output.

The dimmer control or lighting controller is connected to the DIM IN dimming cable connector on the fixture driver;

Ensure connectors are correctly aligned and then push together until click-locked. To release: turn twist-lock anti-clockwise and pull apart.

6.4 Connecting fixtures in series for external control

For detailed instructions please refer to the Lumatek Control Panel manual.

Multiple fixtures can be linked together in series for simultaneous switching and dimming control with the Lumatek Control Panel Plus or any universal 0-10V lighting controller.

Position and hang each fixture appropriately. Lumatek LED fixtures use 0-10V signal protocol for control.

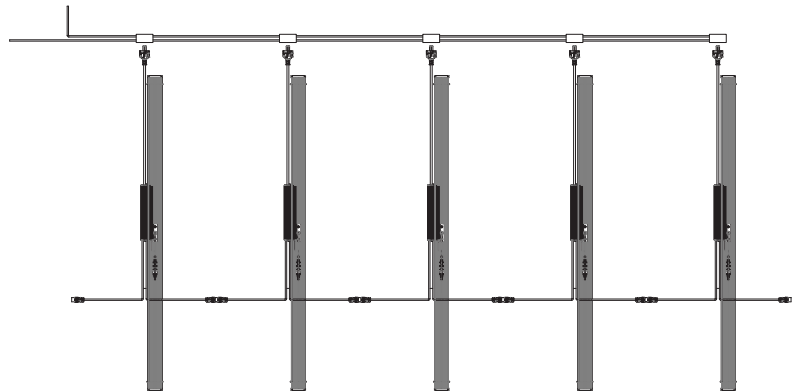
- Connect controller output cable to fixture 1 DIM IN dimming cable connector.

Then either;

- Connect fixture1 DIM OUT dimming cable to fixture 2 DIM IN dimming cable..etc

or

- Connect daisy-chain control signal cable (sold separately) from fixture 1 DIM OUT connector to fixture 2 DIM IN connector.
- Continue to connect fixtures in series for up to 100 fixtures per controller, see Fig.



6.5 Connecting the LED fixture to the mains

Warning! Make sure mains power is switched off.

Warning! Ensure the power supply cable is not coiled and does not touch any hot surfaces.

Warning! Connect the cables according to local rules, safety regulations and electrical code.

Warning! If not using an external lighting controller ensure external switching gear can cope with theirush current of the LED fixture. Always use a timer contactor suitable for switching a capacitive load. Never use household timers to switch the LED fixture!

Warning! Do not connect or disconnect the LED fixture under load.

Connect mains power plug to switching gear/power supply.

Switch on mains power.

7. INSPECTION, MAINTENANCE AND REPAIR

Warning! Disconnect the LED fixture from mains before performing any maintenance or repairs.

Warning! Do not connect or disconnect the LED fixture under load.

Warning! Do not open or disassemble the LED fixture, it contains no serviceable parts inside. Opening the LED fixture can be dangerous and will void the warranty.

Warning! Always wait 20 – 30 minutes for the LED light bars to cool down before handling.

Caution! Do not clean the LED fixture with detergents, abrasives or other aggressive substances.

Regularly check the LED fixture for dust or dirt build up. Clean if necessary. Contamination may cause overheating and decreased performance.

Clean the outside of the LED fixture using a dry or damp cloth.

Regularly check the cables of the LED fixture to ensure it is undamaged.

8. STORAGE AND DISPOSAL

Store the LED fixture in a dry and clean environment, with an ambient temperature of -25°C to 55°C.

The product must not be discarded as unsorted municipal waste but must be collected separately for the purpose of treatment, recovery and environmentally sound disposal.

9. WARRANTY

Lumatek warrants the mechanical and electronic components of their product to be free of defects in material and workmanship if used under normal operating conditions for a period of five (5) years from the original date of purchase. If the product shows any defects within this period and that defect is not due to user error or improper use Lumatek shall, at its discretion, either replace or repair the product using suitable new or reconditioned products or parts. In case Lumatek decides to replace the entire product, this limited warranty shall apply to the replacement product for the remaining initial warranty period, i.e. five (5) years from the date of purchase of the original product. For service; return the product to your shop with the original sales receipt.

LUMATEK 100W FULL SPECTRUM INDIVIDUAL SUPPLEMENTAL LED LIGHT BAR MANUAL

ESPAÑOL

TABLA DE CONTENIDO

1. **Introducción**
2. **Descripción del producto**
3. **Información y especificaciones del producto**
 - 3.1 Información general del producto
 - 3.2 Especificaciones técnicas
 - 3.3 Dimensiones de la luminaria
 - 3.4 Gráfico de distribución cuántica espectral
 - 3.5 Curva de distribución luminosa
 - 3.6 Medio Ambiente
 - 3.7 Legal
4. **Recomendaciones de seguridad y advertencias**
5. **Contenido**
6. **Instalación**
 - 6.1 Montaje e instalación de accesorios
 - 6.2 Conectar y desconectar el controlador
 - 6.3 Conexión del regulador manual o del controlador de iluminación externo y ajuste de la intensidad de la luz (atenuación)
 - 6.4 Conexión de luminarias en serie para control externo
 - 6.5 Conexión de la luminaria LED a la red eléctrica
8. **Inspección, mantenimiento y reparación**
9. **Almacenamiento y eliminación**
10. **Garantía**

1. INTRODUCCIÓN

Muchas gracias por comprar la barra de luz LED suplementaria Lumatek de 100 W de espectro completo. Este manual describe cómo instalar y utilizar la barra de luces; lea este manual detenidamente antes de intentar instalar u operar cualquier sistema Lumatek. Si usted no se siente cómodo con la instalación de sistemas de iluminación de alto rendimiento, por favor busque los servicios de un profesional de instalación calificado.

2. DESCRIPCIÓN DEL PRODUCTO

La barra de luz LED suplementaria de 100W de Lumatek es una luminaria LED hortícola electrónico que utiliza un diseño de tira lineal con un controlador LED remoto inteligente que hace que la luminaria sea controlable y regulable externamente. La barra de luz LED suplementaria de 100W de espectro completo es una solución de iluminación superior suplementaria de ciclo completo de alto rendimiento para el cultivo comercial de horticultura y la agricultura de interior, con la potencia y la flexibilidad para escalar desde la propagación y la clonación a través del crecimiento vegetativo para complementar las intensidades de luz más altas en la floración.

Esta versátil barra de luz LED tiene los mismos diodos y produce la misma cantidad de luz y espectros que las barras de luz Zeus Pro serie 2.9, pero con su propio controlador remoto separado de 100 W que permite colocar la barra de luz de diseño delgado de forma más flexible para aplicaciones más amplias.

La barra de luz de 100 W se puede utilizar para la propagación de semillas y clones en un área de 140 x 25 cm o como luz de cultivo suplementaria para rellenar áreas alrededor de los sistemas LED existentes o incluso para aumentar el rendimiento con los sistemas HID.

En este manual se hará referencia a la barra de luz LED suplementaria Lumatek 100W de espectro completo como: "la luminaria LED".

3. INFORMACIÓN Y ESPECIFICACIONES DEL PRODUCTO

3.1 Información general del producto

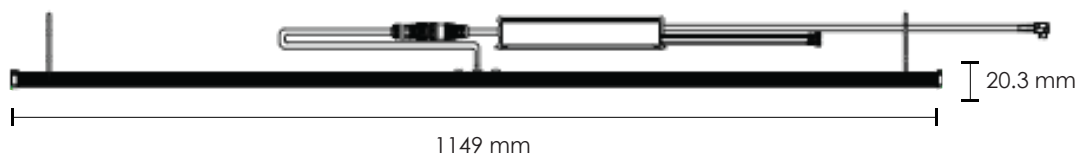
NOMBRE DEL PRODUCTO	Barra de luz LED suplementaria de espectro completo de 100W
NÚMERO DE PARTE	LUMLED012
FABRICANTE	Lumatek EU
EAN	5060560031215
TIPO DE ENCHUFE	REINO UNIDO/EU

3.2 Especificaciones técnicas

PPF	295 $\mu\text{mol/s}$
EFICACIA	Hasta 2.9 $\mu\text{mol/J}$
SPECTRO	Espectro completo F
FUENTE DE LUZ	Especificaciones superiores LUMILEDS (W) & Osram (R) LED
DIMENSIONES	1148 x 20 x 53 mm
PESO	1.1Kg
ESPERANZA DE VIDA	60000H
TEMPERATURA DE FUNCIONAMIENTO	-20° -- +40°C
HUMEDAD DE TRABAJO	20% - 90%
IMPERMEABLE / A PRUEBA DE POLVO	IP65
ÁNGULO DE HAZ	120°
ATENUADOR MANUAL / CONTROLADOR DE ILUMINACIÓN EXTERNA	Protocolo de señal 0-10V

VOLTAJE DE ENTRADA (V)	RELACIÓN DE ATENUACIÓN	POTENCIA DE ENTRADA (W)	CORRIENTE DE ENTRADA (A)
Vmains=230V 50/60Hz AC	100%	105	0.48
	75%	84	0.38
	50%	55	0.26
	25%	29	0.17
Vmains=240V 50/60Hz AC	100%	105	0.46
	75%	84	0.37
	50%	55	0.26
	25%	29	0.17
Vmains=277V 50/60Hz AC	100%	105	0.41
	75%	84	0.33
	50%	55	0.24
	25%	29	0.16

3.3 Dimensiones de la luminaria



Cable barra de luz 4000 mm (4 m)

Cable DIM IN 300mm

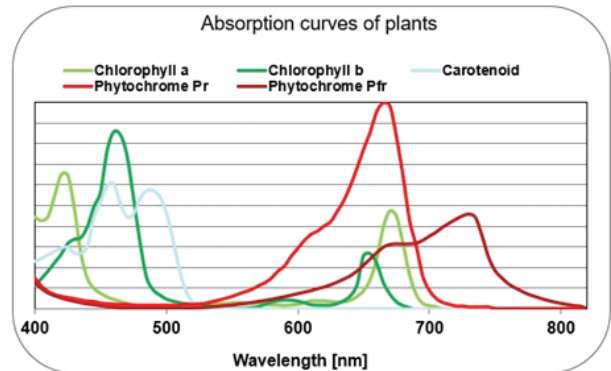
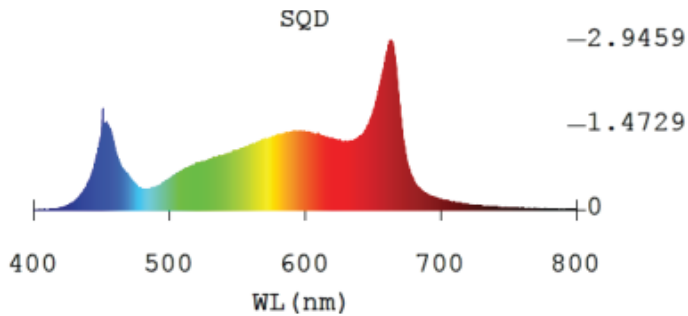
Cable DIM OUT 300mm

Cable de entrada de alimentación 4000mm (4m)

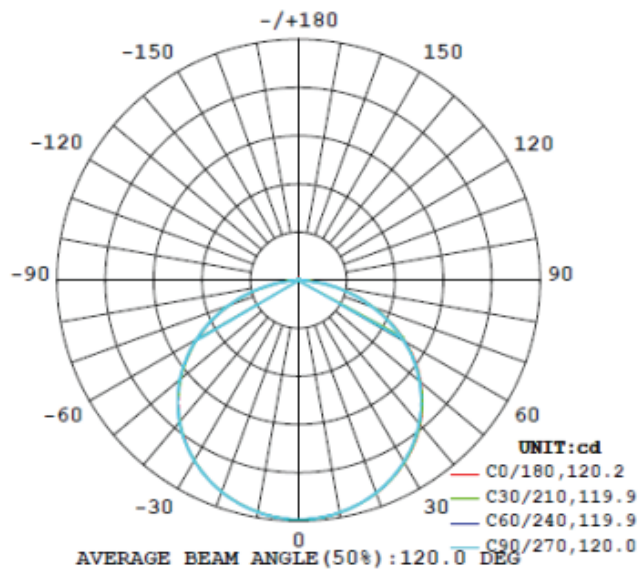
3.4 Gráfico de distribución cuántica espectral

Las barras de luz de la serie Zeus utilizan LED LUMILEDS blanco y rojo Osram de alta eficiencia de alta especificación para crear un espectro completo equilibrado de luz de calidad ideal para la fotosíntesis.

Full Spectrum F ha sido desarrollado para el crecimiento de los cultivos de ciclo completo y está ligeramente ponderado para la floración.



3.5 Curva de distribución luminosa



3.6 Medio ambiente

La luminaria LED está diseñada para ser utilizado en salas de cultivo con clima controlado, granjas interiores e invernaderos. El producto puede usarse en ambientes húmedos, pero no puede usarse en ambientes húmedos o al aire libre.

El producto funcionará a temperaturas ambiente de -10°C a 40°C, pero funcionará a un nivel óptimo entre 20°C y 30°C.

El producto funcionará en 20% - 90% de humedad, sin condensación.

3.7 Legal

Este producto cuenta con la certificación UKCA y CE que cumple con los estándares de prueba de las directivas LVD y EMC.

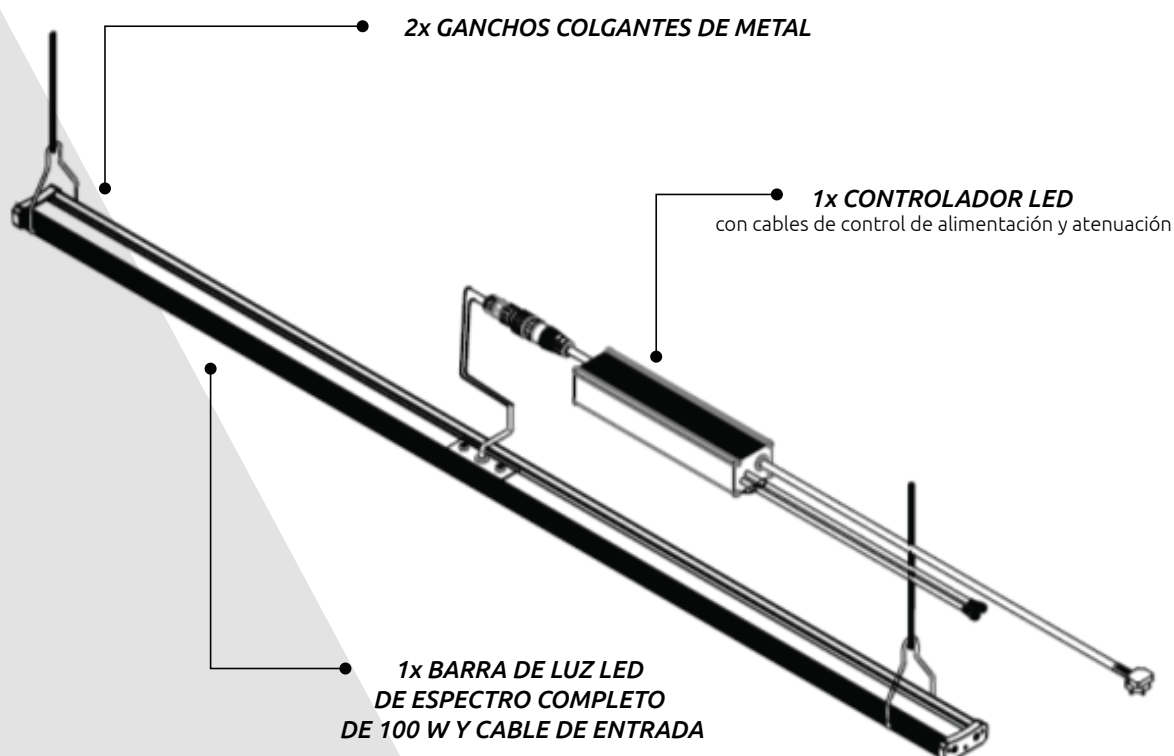
4. RECOMENDACIONES DE SEGURIDAD Y ADVERTENCIAS

Warning! ¡Por favor lea atentamente las siguientes advertencias antes de usar o trabajar con el producto!

- Siempre siga las reglas y regulaciones locales al instalar o usar la luminaria LED.
- No abra ni desmonte la luminaria LED, ya que no contiene piezas reparables en su interior. El abrir o modificar la luminaria LED puede ser peligroso y anulará la garantía.
- No utilice el la luminaria LED cuando la luminaria LED o su cable de alimentación estén dañados. Reemplace el cable de alimentación solo con un cable con clasificación correcta.
- Las modificaciones en los cables puede dar lugar a efectos electromagnéticos no deseados, lo que hace que el producto no cumpla con los requisitos legales.
- No exponga el dispositivo LED a:
Humedad condensada, neblina intensa, neblina o rociado directo;
Temperaturas ambiente fuera del rango especificado;
Polvo y contaminación;
Luz solar directa durante el uso o luz HID que podría calentar el balasto.
- Siempre desconecte el dispositivo de la red eléctrica antes de realizar cualquier mantenimiento.
- Siempre permita un período de enfriamiento de al menos 20-30 minutos antes de tocar la luminaria LED. ¡El tocar la luminaria LED cuando el dispositivo está encendido o inmediatamente después puede provocar quemaduras!
- La convección natural elimina el calor del disipador térmico. Para que el sistema pueda enfriarse bien, se requiere al menos 5 cm de espacio entre la luminaria y el techo de su área de cultivo.
- Por favor no utilice materiales abrasivos o agentes de limpieza agresivos para limpiar la luminaria LED, ya que esto puede dañar la óptica secundaria. En su lugar, utilice un paño limpio, húmedo o seco.
- No utilice el dispositivo cerca de sustancias inflamables, explosivas o reactivas. La luminaria LED puede alcanzar temperaturas de 40°C.
- No use vaporizadores de azufre o agua pulverizada.
- La instalación y el uso del dispositivo son responsabilidad del usuario final. El uso o una instalación incorrecta pueden provocar fallas y daños en la luminaria LED. El daño a la luminaria LED y a los circuitos electrónicos como resultado de una instalación y uso incorrecto revocará la garantía.

5. CONTENIDO

1x MANUAL



6. INSTALACIÓN

¡Advertencia! El montaje e instalación de la luminaria LED debe realizarse de acuerdo con las leyes y regulaciones locales aplicables.

¡Advertencia! El instalador tiene la responsabilidad de una instalación correcta y segura.

¡Advertencia! Por favor asegúrese que el cableado local pueda soportar los requisitos de voltaje y corriente del dispositivo.

¡Advertencia! Evite los cables en espiral y mantenga los cables de alimentación separados para ayudar a evitar interferencias electromagnéticas.

¡Advertencia! No conecte ni desconecte el dispositivo LED bajo carga.

6.1 Montaje e instalación de accesorios

¡ADVERTENCIA! Monte el sistema en algo que pueda soportar el peso de la luminaria LED.

¡ADVERTENCIA! La barra de luces se envía con una cubierta protectora de plástico sobre los diodos. Asegúrese de retirar esta funda protectora antes de usar.

Inserte los ganchos metálicos para colgar en los orificios de montaje de cada lado de la barra de luces, en ambos extremos.

Cuelgue el dispositivo en la posición y altura requeridas.

La barra de luz se puede colgar horizontalmente sobre el dosel de la planta o verticalmente en el lateral para una penetración suplementaria.

Para un rendimiento óptimo; coloque la luminaria de 15 cm a 40 cm de las plantas.

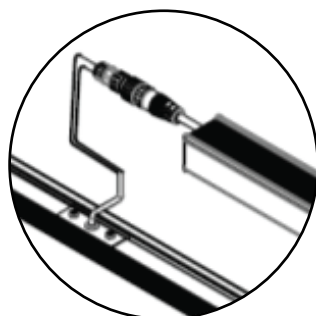


6.2 Conectar y desconectar el controlador LED

Coloque el controlador LED adecuadamente asegurándose que no esté bajo luz solar directa o HID para evitar el sobrecalentamiento y no directamente en el suelo donde podría entrar en contacto con agua o nutrientes.

Para conectar la salida del conductor al dispositivo; asegúrese que el conector del cable de salida de alimentación del conductor esté correctamente alineado con el conector del cable de la barra de luz correspondiente y empuje juntos hasta que se bloquee por clic.

Para desconectar; gire el conector macho en sentido contrario a las agujas del reloj para desbloquear y separar de la hembra.



Asegúrese que los conectores de bloqueo giratorio estén correctamente alineados y, a continuación, empuje juntos hasta que se bloqueen por clic. Gire el cierre giratorio en sentido contrario a las agujas del reloj y jale para desconectarlo.

6.3 Conexión del regulador manual o del controlador de iluminación externo y ajuste de la intensidad de la luz (atenuación)

The LED fixture's light intensity can be adjusted without changing spectrum or losing efficiency. This means that PPF can be adjusted to the correct level for propagation, cloning, vegetative and flowering growth cycles.

The LED fixture can be connected to a 0-10V manual dimming controller or a Lumatek Control Panel Plus/universal lighting controller (all sold separately) via the DIM IN dimming cable on the driver allowing light intensity (PPF level) to be adjusted between 20% - 100% light output.

The dimmer control or lighting controller is connected to the DIM IN dimming cable connector on the fixture driver;

Ensure connectors are correctly aligned and then push together until click-locked. To release: turn twist-lock anti-clockwise and pull apart.

6.4 Conexión de luminarias en serie para control externo

Para obtener instrucciones detalladas, por favor consulte el manual del panel de control de Lumatek.

Se pueden conectar múltiples luminarias en serie para conmutación y control de atenuación simultáneos con el Panel de control Plus de Lumatek o cualquier controlador de iluminación universal de 0-10V.

Coloque y cuelgue cada luminaria adecuadamente. Las luminarias LED Lumatek utilizan un protocolo de señal de 0-10V para el control.

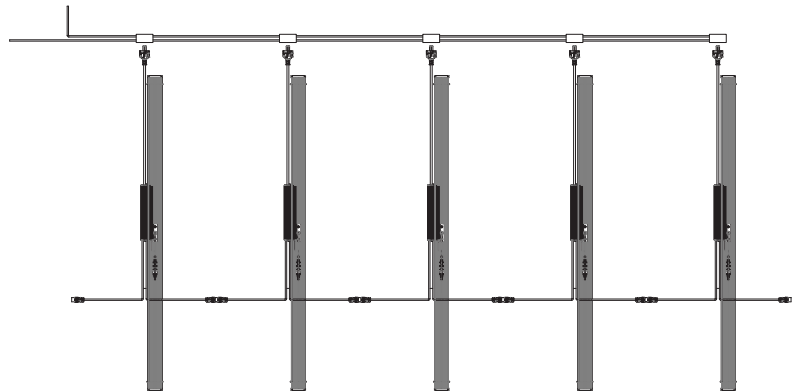
- Conecte el cable de salida del controlador al conector del cable de regulación DIM IN de la luminaria 1.

Y luego:

- Conecte el cable de regulación DIM OUT de la luminaria 1 al cable de regulación DIM IN de la luminaria 2, etc.



- Conecte el cable de señal de control en cadena (se vende por separado) desde el conector DIM OUT del aparato 1 al conector DIM IN del aparato 2.
- Continúe conectando las luminarias en serie para un máximo de 100 dispositivos por controlador, consulte la fig.



6.5 Conexión de la luminaria LED a la red eléctrica

¡Advertencia! Por favor asegúrese que la red eléctrica esté apagada.

¡Advertencia! Asegúrese que el cable de alimentación no esté enrollado y que no toque ninguna superficie caliente.

¡Advertencia! Conecte los cables de acuerdo con las normas locales, las normas de seguridad y el código eléctrico.

¡Advertencia! Si no utiliza un controlador de iluminación externo, asegúrese que el equipo de conmutación externo pueda hacer frente a la corriente de entrada de la luminaria LED. Utilice siempre un contactor temporizador adecuado para cambiar una carga capacitiva. ¡Nunca use temporizadores domésticos para cambiar la luminaria LED!

¡Advertencia! No conecte ni desconecte el dispositivo LED bajo carga.

Conecte el enchufe de alimentación de la red a cambio de engranaje/fuente de alimentación

Encienda la alimentación de red.

7. INSPECCIÓN, MANTENIMIENTO Y REPARACIÓN

¡Advertencia! Siempre desconecte el dispositivo de la red eléctrica antes de realizar cualquier mantenimiento.

¡Advertencia! No conecte ni desconecte el dispositivo LED bajo carga.

¡Advertencia! No abra ni desmonte la luminaria LED, ya que no contiene piezas reparables en su interior. El abrir o modificar la luminaria LED puede ser peligroso y anulará la garantía.

¡Advertencia! Siempre espere de 20 a 30 minutos para que las barras de luz LED se enfríen.

¡Precaución! No limpie el dispositivo con detergentes, abrasivos u otras sustancias agresivas.

Revise regularmente el dispositivo para detectar la presencia de polvo o suciedad acumulada. Límpielo de ser necesario. La contaminación puede causar sobrecalentamiento y disminución del rendimiento. Limpie el exterior de la lámpara LED con un paño seco o húmedo.

Compruebe regularmente el cableado del producto para asegurarse que no esté dañado.

8. ALMACENAMIENTO Y ELIMINACIÓN

Almacene la luminaria en un ambiente seco y limpio, con una temperatura ambiente de -25°C a 55°C. No deseche el producto como residuo municipal sin antes clasificarlo, ya que debe recogerse por separado con fines de tratamiento, recuperación y eliminación ambientalmente racional.

9. GARANTÍA

Lumatek garantiza que los componentes mecánicos y electrónicos de su producto estén libres de defectos de material y mano de obra si se utilizan en condiciones normales de funcionamiento durante un período de cinco (5) años a partir de la fecha original de compra. Si el producto muestra algún defecto dentro de este período y ese defecto no se debe a un error del usuario o uso indebido, Lumatek deberá, a su discreción, reemplazar o reparar el producto con productos o piezas nuevas o reacondicionadas. En caso de que Lumatek decida sustituir todo el producto, esta garantía limitada se aplicará al producto de reemplazo durante el período de garantía inicial restante, es decir, cinco (5) años a partir de la fecha de compra del producto original. Para ser atendido, devuelva la luminaria a su tienda con el recibo de compra original.

LUMATEK 100W VOLLSPEKTRUMS- LED-ZUSATZLICHTLEISTE HANDBUCH

DEUTSCH

INHALTSVERZEICHNISS

1. **Einführung**
2. **Produktbeschreibung**
3. **Produktinformation und Technische Daten**
 - 3.1 Allgemeine Informationen zum Produkt
 - 3.2 Technische Daten
 - 3.3 Abmessungen des Geräts
 - 3.4 Spektrale Quantenverteilungskurve
 - 3.5 Lichtverteilungskurve
 - 3.6 Rahmenbedingungen
 - 3.7 Rechtliches
4. **Sicherheitsempfehlungen und Warnhinweise**
5. **Inhalt**
6. **Montage**
 - 6.1 Zusammenbau und Installation der Leuchte
 - 6.2 Anschließen und Trennen des LED-Treibers
 - 6.3 Anschluss des manuellen Dimmers oder der externen Lichtsteuerung und Einstellung der Lichtintensität (Dimmen)
 - 6.4 Anschluss von Geräten in Reihe für externe Steuerung
 - 6.5 Anschluss des LED-Geräts an das Stromnetz
8. **Inspektion, Wartung und Reparatur**
9. **Lagerung und Entsorgung**
10. **Garantie und Gewährleistung**

1. EINLEITUNG

Vielen Dank, dass Sie sich für die Lumatek 100W Full Spectrum Supplemental LED Lichtleiste entschieden haben. Dieses Handbuch beschreibt die Installation und Verwendung der Lichtleiste; bitte lesen Sie dieses Handbuch sorgfältig durch, bevor Sie versuchen, ein Lumatek-System zu installieren oder zu bedienen. Wenn Sie mit der Installation von Hochleistungsbeleuchtungssystemen nicht vertraut sind, sollten Sie die Dienste eines qualifizierten Installateurs in Anspruch nehmen.

2. PRODUKTBESCHREIBUNG

Die Lumatek 100W Full Spectrum Zusatz-LED-Lichtleiste ist eine elektronische Gartenbau-LED-Leuchte, die ein lineares Leisten-Design mit einem intelligenten Remote-LED-Treiber verwendet, der die Leuchte extern steuerbar und dimmbar macht. Die 100W Full Spectrum LED-Lichtleiste ist eine ultrahochleistungsfähige, vollzyklische Beleuchtungslösung für den kommerziellen Gartenbau und Indoor-Farming, mit der Leistung und Flexibilität um von der Vermehrung und dem Klonen über das vegetative Wachstum bis hin zur höheren Lichtintensität in der Blüte zu skalieren.

Diese vielseitige LED-Lichtleiste verfügt über dieselben Dioden und erzeugt dieselbe Lichtmenge und dasselbe Lichtspektrum wie die Lichtleisten der Zeus Pro 2.9-Serie, verfügt jedoch über einen eigenen separaten 100-W-Remote-Treiber, mit dem die schlanke Lichtleiste flexibler für breitere Anwendungen positioniert werden kann.

Die 100W-Lichtleiste kann für die Vermehrung von Samen und Klonen in einem Bereich von 140 x 25cm oder als zusätzliches Grow-Licht verwendet werden, um Bereiche um bestehende LED-Systeme herum auszufüllen oder sogar um den Ertrag mit HID-Systemen zu steigern.

In diesem Handbuch wird die Lumatek 100W Full Spectrum Zusatz-LED-Lichtleiste als "die LED-Leuchte" beschrieben.

3. PRODUKTINFORMATIONEN UND SPEZIFIKATIONEN

3.1 Allgemeine Produktinformationen

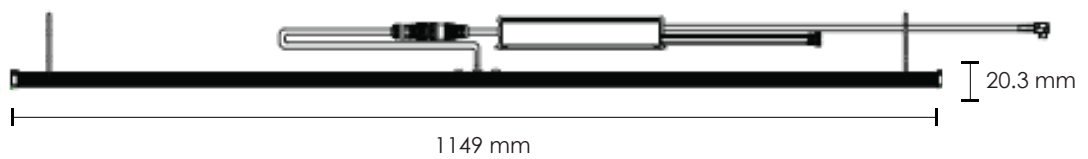
PRODUKTNAME	100W Full Spectrum supplemental LED Light Bar
PRODUKT-CODE	LUMLED012
HERSTELLER	Lumatek EU
EAN	5060560031215
STECKERTYP	UK/EU

3.2 Technische Spezifikationen

PPF	295 $\mu\text{mol/s}$
WIRKUNGSGRAD	bis zu 2.9 $\mu\text{mol/J}$
SPEKTRUM	Vollspektrum F
LICHTQUELLE	höhere Spezifikation LUMILEDS (W) & Osram (R) LED
ABMESSUNGEN	1148 x 20 x 53mm
GEWICHT	1.1Kg
LEBENSDAUER	60000H
BETRIEBSTEMPERATUR	-20° -- +40°C
BETRIEBSFEUCHTIGKEIT	20% - 90%
WASSERDICHT / STAUBDICHT	IP65
ABSTRAHLWINKEL	120°
MANUELLES DIMMEN/ EXTERNE LICHTSTEUERUNG	0-10V Signalprotokoll

EINGANGSSPANNUNG (V)	DIMMVERHÄLTNIS	EINGANGSLEISTUNG (W)	EINGANGSTROM (A)
Vmains=230V 50/60Hz AC	100%	105	0.48
	75%	84	0.38
	50%	55	0.26
	25%	29	0.17
Vmains=240V 50/60Hz AC	100%	105	0.46
	75%	84	0.37
	50%	55	0.26
	25%	29	0.17
Vmains=277V 50/60Hz AC	100%	105	0.41
	75%	84	0.33
	50%	55	0.24
	25%	29	0.16

3.3 Abmessungen des Geräts



Lichtleistenkabel 4000mm (4m)

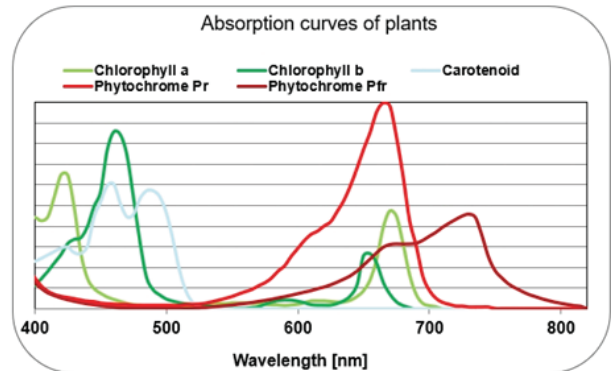
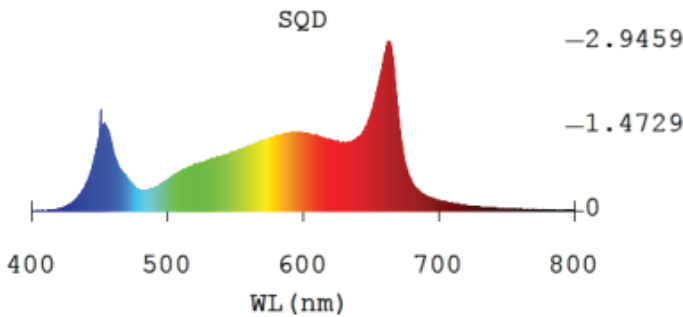
DIM IN Kabel 300mm

DIM OUT Kabel 300mm

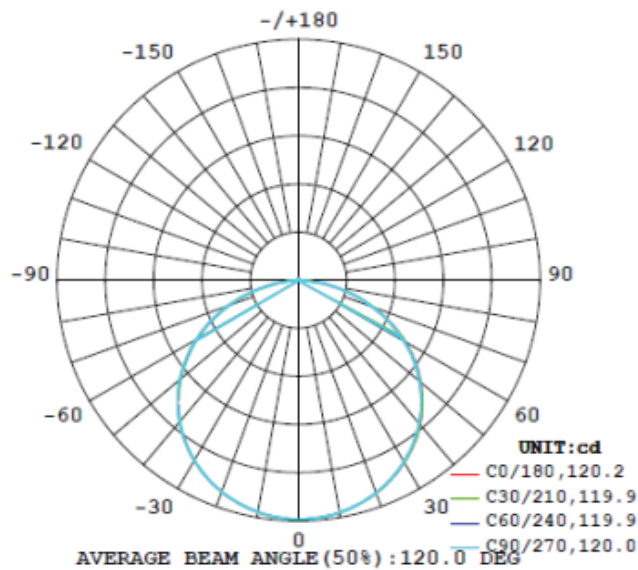
Strom-EINGANGskabel 4000mm (4m)

3.4 Diagramm der spektralen Quantenverteilung

Die Lichtleisten der Zeus-Serie verwenden hochspezialisierte, hocheffiziente weiße und rote Top-Bin-LEDs von LUMILEDS, um ein ausgewogenes Vollspektrum an Qualitätslicht zu erzeugen, das ideal für die Photosynthese ist. Full Spectrum F wurde für das Wachstum von Pflanzen während des gesamten Zyklus entwickelt und ist für die Blüte leicht gewichtet.



3.5 Lichtverteilungskurve



3.6 Rahmenbedingungen

Das LED-Gerät ist für den Einsatz in klimatisierten Grow-Rooms und Indoor-Farmen vorgesehen. Das Produkt kann in feuchten Umgebungen verwendet werden, darf aber nicht in nassen Umgebungen oder im Freien eingesetzt werden.

Das Produkt kann bei Umgebungstemperaturen von -10 °C bis 40 °C betrieben werden, funktioniert aber optimal bei Temperaturen zwischen 20 °C und 30 °C.

Das Produkt kann bei einer Luftfeuchtigkeit von 20 % bis 90 %, ohne Kondensation, betrieben werden.

3.7 Rechtliches

Dieses Produkt ist UKCA- und CE-zertifiziert und entspricht den Teststandards der LVD- und EMV-Richtlinie.

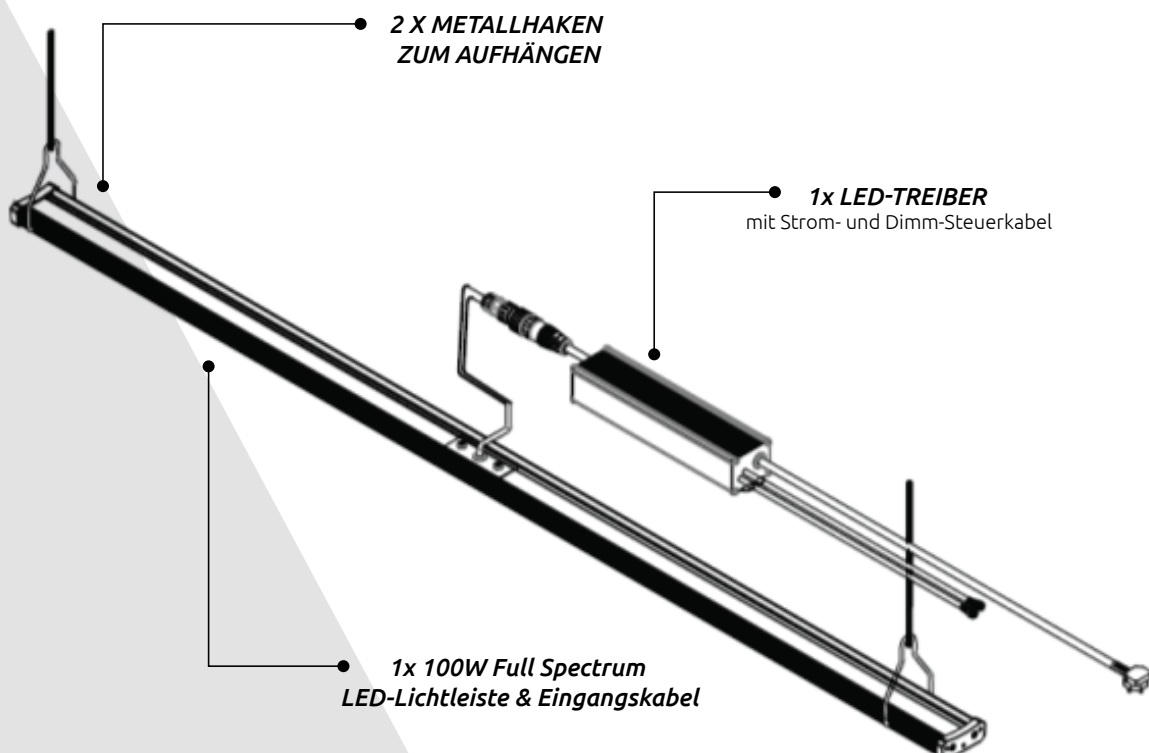
4. SICHERHEITSEMPFEHLUNGEN UND WARNHINWEISE

Warnung! Lesen Sie die folgenden Warnhinweise sorgfältig durch, bevor Sie das Produkt verwenden oder mit ihm arbeiten!

- - Halten Sie sich bei der Installation und Verwendung des LED-Geräts immer an die örtlichen Vorschriften und Regeln.
- Öffnen oder zerlegen Sie das LED-Gerät nicht, da es im Inneren keine zu wartenden Teile enthält. Das Öffnen oder Verändern des LED-Geräts kann gefährlich sein und führt zum Erlöschen der Garantie.
- Verwenden Sie das LED-Gerät nicht, wenn entweder das LED-Gerät oder das Netzkabel beschädigt ist. Ersetzen Sie das Netzkabel nur durch ein Kabel mit dem richtigen Nennwert.
- Änderungen an den Kabeln können zu unerwünschten elektromagnetischen Effekten führen, die dazu führen können, dass das Produkt nicht mehr den gesetzlichen Anforderungen entspricht.
- Setzen Sie das LED-Gerät nicht folgenden Einflüssen aus: Kondenswasser, starkem Nebel oder direktem Spritzwasser; Umgebungstemperaturen außerhalb des spezifizierten Bereichs; Staub und Verschmutzung; Direkter Sonneneinstrahlung während des Betriebs oder HID-Licht, das den Treiber erwärmen kann.
- Trennen Sie das LED-Gerät immer vom Stromnetz, bevor Sie eine Wartung durchführen.
- Lassen Sie das Gerät mindestens 20-30 Minuten abkühlen, bevor Sie es berühren. Das Berühren des LED-Geräts im eingeschalteten Zustand oder unmittelbar danach kann zu Verbrennungen führen!
- Die natürliche Konvektion transportiert die Wärme vom Kühlkörper weg. Damit sich das System richtig abkühlen kann, ist ein Abstand von mindestens 5 cm zwischen dem Gerät und der Decke Ihres Growbereichs erforderlich.
- Verwenden Sie keine scheuernden Materialien oder aggressive Reinigungsmittel, um das LED-Gerät zu reinigen, da dies die Sekundäroptik beschädigen kann. Verwenden Sie stattdessen einen sauberen, feuchten oder trockenen Stoff/Tuch.
- Verwenden Sie das LED-Gerät nicht in der Nähe von brennbaren, explosiven oder reaktiven Substanzen. Das LED-Gerät kann Temperaturen von 40 °C erreichen.
- Verwenden Sie keine Schwefelverdampfer oder Wasserzerstäuber.
- Die Installation und Verwendung des LED-Geräts liegt in der Verantwortung des Endanwenders. Eine unsachgemäße Verwendung oder Installation kann zu Fehlfunktionen und Schäden am LED-Gerät führen. Schäden am LED-Gerät und an der Elektronik, die durch unsachgemäße Installation und Verwendung verursacht werden, führen zum Erlöschen der Garantie.

5. INHALT

1x Handbuch



6. MONTAGE

Warnung! Die Montage und Installation der LED-Leuchte muss in Übereinstimmung mit den geltenden lokalen Gesetzen und Vorschriften erfolgen.

Warnung! Der Installateur ist für die korrekte und sichere Installation verantwortlich.

Warnung! Stellen Sie sicher, dass die lokale Verkabelung die Spannungs- und Stromanforderungen des LED-Geräts unterstützt.

Warnung! Vermeiden Sie gewickelte Kabel und halten Sie Netzleitungen getrennt, um elektromagnetische Störungen zu vermeiden.

Warnung! Schließen Sie das LED-Gerät nicht unter Last an und trennen Sie es nicht unter Last.

6.1 Montage und Installation des Geräts

Warnung! Befestigen Sie das System an einer Konstruktion, die das Gewicht der LED-Leuchte tragen kann.

WARNUNG! Die Lichtleiste wird mit einer Schutzabdeckung aus Kunststoff über den Dioden ausgeliefert. Bitte stellen Sie sicher, dass diese Schutzabdeckung vor dem Gebrauch entfernt wird!

Stecken Sie die Metallhaken in die Befestigungslöcher auf beiden Seiten der Lichtleiste.

Hängen Sie die Leuchte in der gewünschten Position und Höhe auf.

Der Lichtbalken kann horizontal über dem Pflanzdach oder vertikal an der Seite aufgehängt werden, um eine zusätzliche Durchdringung zu erreichen.

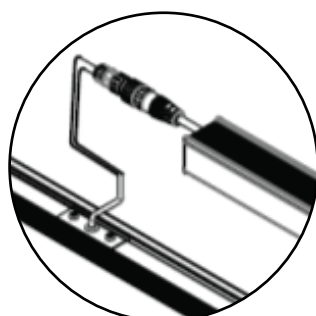
Für eine optimale Leistung positionieren Sie die Leuchte in einem Abstand



6.2 Anschließen und Trennen des LED-Treibers

Platzieren Sie den LED-Treiber so, dass er nicht in direktem Sonnen- oder HID-Licht steht, um eine Überhitzung zu vermeiden, und platzieren Sie ihn nicht direkt auf dem Boden, wo er mit Wasser oder Nährlösungen in Kontakt kommen könnte.

Zum Anschließen des Treibers an das Gerät: Vergewissern Sie sich, dass der Kabelstecker des Treibers richtig auf den entsprechenden Kabelstecker der Lichtleiste ausgerichtet ist, und drücken Sie ihn zusammen, bis er einrastet. Zum Trennen: Drehen Sie den Stecker gegen den Uhrzeigersinn, um ihn zu entriegeln, und ziehen Sie ihn ab.



Vergewissern Sie sich, dass die Twist-lock-Stecker richtig ausgerichtet sind, und schieben Sie sie dann zusammen, bis sie mit einem Klick einrasten. Drehen Sie die Verriegelung gegen den Uhrzeigersinn und ziehen Sie sie auseinander, um die Verbindung zu trennen.

6.3 Anschluss des manuellen Dimmers oder der externen Lichtsteuerung und Einstellung der Lichtintensität (Dimmen)

Die Lichtintensität der LED-Leuchte kann angepasst werden, ohne das Spektrum zu verändern oder an Effizienz zu verlieren. Dies bedeutet, dass das PPF auf das richtige Niveau für Vermehrung, Klonen, vegetative und blühende Wachstumszyklen eingestellt werden kann.

Die LED-Leuchte kann über das DIM IN-Dimmkabel am Treiber an eine manuelle 0-10-V-Dimmsteuerung oder an ein Lumatek Control Panel Plus/eine universelle Beleuchtungssteuerung (alle separat erhältlich) angeschlossen werden, so dass die Lichtintensität (PPF-Niveau) zwischen 20 % und 100 % Lichtleistung eingestellt werden kann.

Der Dimmer oder die Lichtsteuerung wird an den DIM IN Dimmkabelanschluss am Gerätetreiber angeschlossen; Vergewissern Sie sich, dass die Stecker richtig ausgerichtet sind, und schieben Sie sie zusammen, bis sie mit einem Klick einrasten. Zum Lösen: Drehen Sie die Verriegelung gegen den Uhrzeigersinn und ziehen Sie sie auseinander.

6.4 Anschluss von Geräten in Reihe für externe Steuerung

Detaillierte Anweisungen finden Sie in der Anleitung des Lumatek Control Panels.

Mehrere Geräte können in Reihe geschaltet werden, um diese gleichzeitig mit dem Lumatek Control Panel Plus oder einem universellen 0-10V Lichtsteuergerät zu schalten und zu dimmen.

Positionieren und hängen Sie jede Leuchte entsprechend auf. Lumatek LED-Leuchten verwenden ein 0-10V Signalprotokoll zur Steuerung.

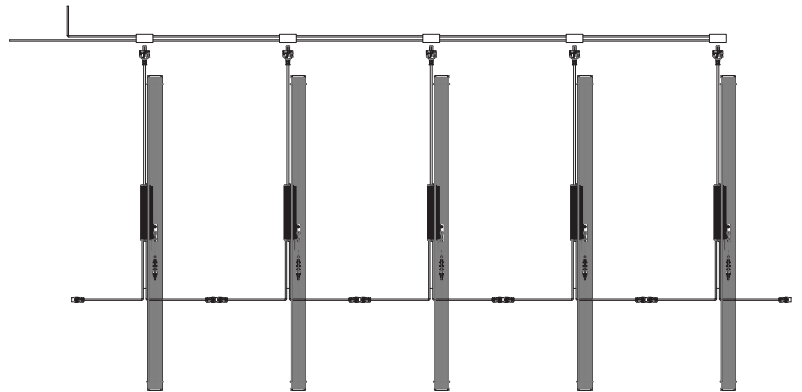
- Verbinden Sie das Output-Kabel der Steuerung mit dem DIM IN Anschluss des Geräts 1.

Dann entweder;

- Verbinden Sie den DIM OUT von Gerät 1 mit dem DIM IN von Gerät 2 mithilfe eines Dimmkabels..usw.

oder

- Verbinden Sie das Daisy-Chain-Steuer-signal-kabel (separat erhältlich) vom Anschluss DIM OUT des Geräts 1 mit dem Anschluss DIM IN des Geräts 2.
- Fahren Sie fort, die Geräte in Reihe zu schalten, um bis zu 100 Geräte pro Steuerung zu betreiben, siehe Abb.



6.5 Anschluss des LED-Gerätes an das Stromnetz

Warnung! Stellen Sie sicher, dass die Netzspannung ausgeschaltet ist.

Warnung! Stellen Sie sicher, dass das Stromversorgungskabel nicht aufgewickelt ist und keine heißen Oberflächen berührt.

Warnung! Schließen Sie die Kabel gemäß den örtlichen Vorschriften, Sicherheitsbestimmungen und elektrischen Normen an.

Warnung! Wenn Sie keine externe Lichtsteuerung verwenden, stellen Sie sicher, dass das externe Schaltgerät den Einschaltstrom des LED-Geräts bewältigen kann. Verwenden Sie immer ein Zeitschaltgerät, das zum Schalten einer kapazitiven Last geeignet ist. Verwenden Sie niemals Zeitschaltuhren zum Schalten des LED-Geräts!

Warnung! Schließen oder trennen Sie das LED-Gerät niemals unter Last.

Netzstecker an Schaltgerät/Netzgerät anschließen.

Schalten Sie die Netzspannung ein.

7. INSPEKTION, WARTUNG UND REPARATUR

Warning! Trennen Sie die LED-Leuchte vom Stromnetz, bevor Sie Wartungs- oder Reparaturarbeiten durchführen.

Warning! Schließen oder trennen Sie das LED-Gerät nicht unter Last.

Warning! Öffnen oder demontieren Sie die LED-Leuchte nicht, sie enthält keine wartungsfähigen Teile im Inneren. Das Öffnen der LED-Leuchte kann gefährlich sein und führt zum Erlöschen der Garantie.

Warning! Warten Sie immer 20 - 30 Minuten, bis sich die LED-Lichtbalken abgekühlt haben.

Vorsicht! Reinigen Sie die LED-Leuchte nicht mit Reinigungsmitteln, Scheuermitteln oder anderen aggressiven Substanzen.

Überprüfen Sie die LED-Leuchte regelmäßig auf Staub oder Schmutzablagerungen. Bei Bedarf reinigen. Verunreinigungen können zu Überhitzung und Leistungseinbußen führen.

Reinigen Sie die Außenseite des LED-Leuchten mit einem trockenen oder feuchten Tuch.

Überprüfen Sie regelmäßig die Kabel des LED-Geräts, um sicherzustellen, dass diese unbeschädigt sind.

8. LAGERUNG UND ENTSORG

Lagern Sie das LED-Gerät in einer trockenen und sauberen Umgebung bei einer Umgebungstemperatur von -25 °C bis 55 °C.

Das Produkt darf nicht als unsortierter Hausmüll entsorgt werden, sondern muss zum Zwecke der Aufbereitung, Verwertung und umweltgerechten Entsorgung separat entsorgt werden.

9. GARANTIE

Lumatek garantiert für einen Zeitraum von fünf (5) Jahren ab dem ursprünglichen Kaufdatum, dass die mechanischen und elektronischen Komponenten des Produkts bei Verwendung unter normalen Betriebsbedingungen frei von Material- und Verarbeitungsfehlern sind. Wenn das Produkt innerhalb dieses Zeitraums Mängel aufweist und dieser Mangel nicht auf einen Benutzerfehler oder unsachgemäßen Gebrauch zurückzuführen ist, wird Lumatek das Produkt nach eigenem Ermessen entweder ersetzen oder reparieren, wobei geeignete neue oder überholte Produkte oder Teile verwendet werden. Falls Lumatek sich entscheidet, das gesamte Produkt zu ersetzen, gilt diese eingeschränkte Garantie für das Ersatzprodukt für die verbleibende ursprüngliche Garantiezeit, d. h. fünf (5) Jahre ab dem Kaufdatum des Originalprodukts. Für den Service; bringen Sie das Produkt mit dem Originalkaufbeleg zu Ihrem Fachhändler zurück.

MANUALE BARRA LUMINOSA SUPPLEMENTARE INDIVIDUALE A LED FULL SPECTRUM DA 100W

ITALIANO

SOMMARIO

- 1. Introduzione**
- 2. Descrizione del prodotto**
- 3. Informazioni e specifiche del prodotto**
 - 3.1 Informazioni generali sul prodotto
 - 3.2 Specifiche tecniche
 - 3.3 Dimensioni del dispositivo
 - 3.4 Grafico di distribuzione spettrale quantistica
 - 3.5 Curva di distribuzione della luce
 - 3.6 Ambiente
 - 3.7 Legale
- 4. Raccomandazioni e avvertenze di sicurezza**
- 5. Contenuto**
- 6. Installazione**
 - 6.1 Montaggio e installazione dell'apparecchio
 - 6.2 Collegare e scollegare il driver LED
 - 6.3 Collegare il dimmer manuale o il controller di illuminazione esterno e regolare l'intensità della luce (dimmerazione)
 - 6.4 Dispositivi di collegamento in serie per il controllo esterno
 - 6.5 Collegamento dell'apparecchio LED alla rete elettrica
- 7. Ispezione, manutenzione e riparazione**
- 8. Stoccaggio e smaltimento**
- 9. Garanzia**

1. INTRODUZIONE

Grazie per aver acquistato la barra luminosa supplementare a LED Lumatek 100W Full Spectrum. Questo manuale descrive come installare e utilizzare la barra luminosa; si prega di leggerlo attentamente prima di tentare di installare o utilizzare qualsiasi sistema Lumatek. Se non foste a vostro agio con l'installazione di sistemi di illuminazione ad alte prestazioni, dovrete cercare i servizi di un professionista qualificato per l'installazione.

2. DESCRIZIONE PRODOTTO

La barra luminosa supplementare a LED Lumatek 100W Full Spectrum è un apparecchio elettronico per l'orticoltura a LED che utilizza un design a striscia lineare con un driver LED intelligente a distanza che rende l'apparecchio controllabile dall'esterno e dimmerabile. La barra luminosa supplementare a LED Full Spectrum da 100W è una soluzione di illuminazione superiore supplementare a ciclo completo ad altissime prestazioni per l'orticoltura commerciale e l'agricoltura indoor, con la potenza e la flessibilità necessarie per passare dalla propagazione e dalla clonazione attraverso la crescita vegetativa fino ad integrare le intensità di luce più elevate in fioritura.

Questa versatile barra luminosa a LED ha gli stessi diodi e produce la stessa quantità di luce e lo stesso spettro delle barre luminose della serie Zeus Pro 2.9, ma con il suo driver remoto separato da 100W che consente alla barra luminosa dal design sottile di essere posizionata in modo più flessibile per impieghi più ampi.

La barra luminosa da 100W può essere utilizzata per la propagazione di semi e cloni in un'area di 140 x 25 cm o come luce di crescita supplementare per riempire le aree intorno ai sistemi LED esistenti o anche per aumentare la resa con i sistemi HID.

In questo manuale la barra luminosa supplementare Lumatek 100W Full Spectrum LED sarà indicata come: "l'apparecchio LED".

3. INFORMAZIONI E LE SPECIFICHE DEL PRODOTTO

3.1 Informazioni generali sul prodotto

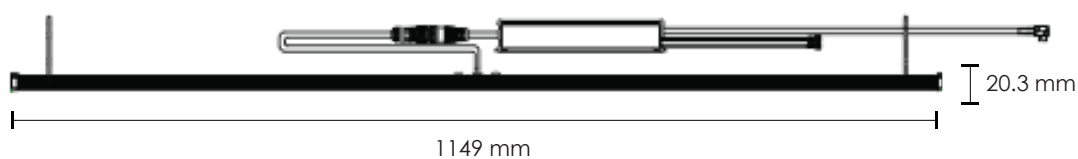
NOME DEL PRODOTTO	100W Full Spectrum supplemental LED Light Bar
CODICE PRODOTTO	LUMLED012
FABBRICANTE	Lumatek EU
EAN	5060560031215
TIPO DI SPINA	Regno Unito/EU

3.2 Specifiche tecniche

PPF	295 $\mu\text{mol/s}$
EFFICACIA	Fino a 2.9 $\mu\text{mol/J}$
SPETTRO	Spettro completo F
SORGENTE LUMINOSA	Specifiche superiori LUMILEDS (W) & Osram (R) LED
DIMENSIONE	1148 x 20 x 53mm
PESO	1.1Kg
DURATA DELLA VITA	60000H
TEMPERATURA DI FUNZIONAMENTO	-20° -- +40°C
UMIDITÀ DI FUNZIONAMENTO	20% - 90%
IMPERMEABILE/ANTIPOLVERE	IP65
ANGOLO A FASCIO	120°
REGOLATORE DI ILLUMINAZIONE DIM /ESTERNO MANUALE	0-10V protocollo del segnale

TENSIONE IN INGRESS (V)	RAPPORTO DI ATTENUAZIONE	POTENZA DI INGRESSO (W)	CORRENTE DI INGRESSO (A)
Vmains=230V 50/60Hz AC	100%	105	0.48
	75%	84	0.38
	50%	55	0.26
	25%	29	0.17
Vmains=240V 50/60Hz AC	100%	105	0.46
	75%	84	0.37
	50%	55	0.26
	25%	29	0.17
Vmains=277V 50/60Hz AC	100%	105	0.41
	75%	84	0.33
	50%	55	0.24
	25%	29	0.16

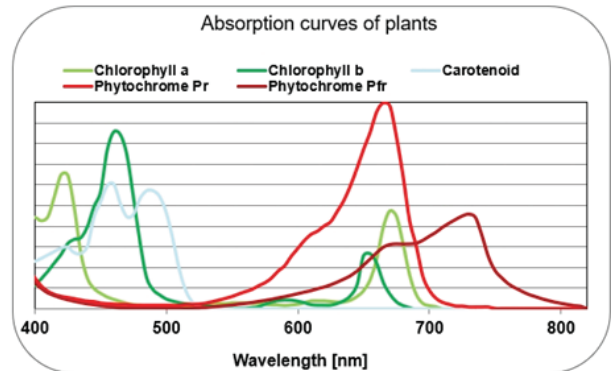
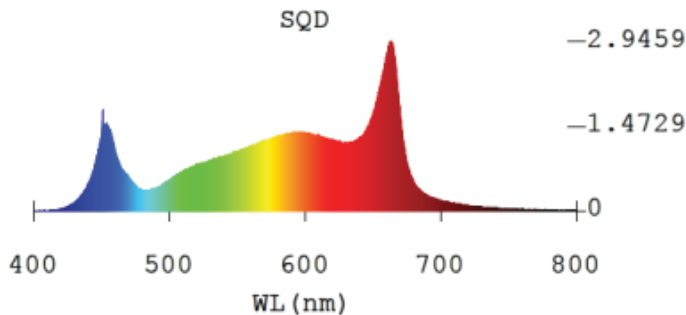
3.3 Dimensioni del dispositivo



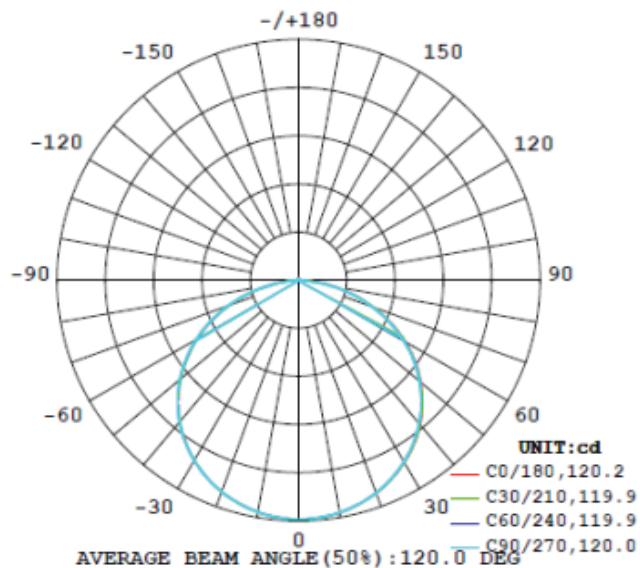
- Cavo della barra luminosa 4000mm (4m)
- Cavo DIM IN 300mm
- Cavo DIM OUT 300mm
- Cavo di alimentazione INPUT 4000mm (4m)

3.4 Grafico di distribuzione spettrale quantistica

Le barre luminose della serie Zeus utilizzano i LED bianchi e rossi LUMILEDS ad alta efficienza per creare uno spettro completo ed equilibrato di luce di qualità ideale per la fotosintesi. Full Spectrum F è stata sviluppata per la crescita delle colture a ciclo completo ed è leggermente ponderata per la fioritura.



3.5 Curva di distribuzione della luce



3.6 Ambiente

L'apparecchio a LED è destinato ad essere utilizzato in stanze di coltivazione a clima controllato e in aziende agricole al chiuso. Il prodotto può essere utilizzato in ambienti umidi ma non può essere utilizzato in ambienti umidi o all'aperto.

Il prodotto funzionerà a temperature ambiente da -10°C a 40°C ma funzionerà a livello ottimale tra 20°C e 30°C.

Il prodotto funzionerà in 20% - 90% di umidità, senza condensa.

3.7 Legale

Questo prodotto è certificato UKCA e CE, conforme agli standard di prova delle direttive LVD ed EMC.

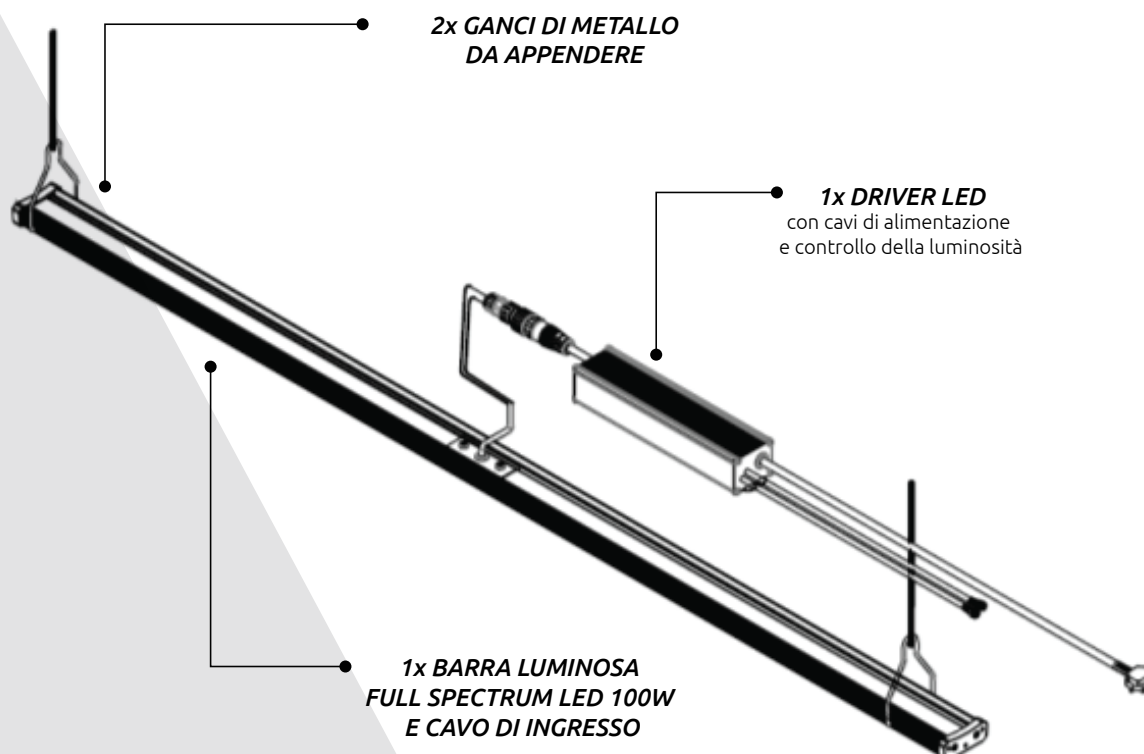
4. RACCOMANDAZIONI E AVVERTENZE DI SICUREZZA

Attenzione! Leggere attentamente le avvertenze seguenti prima di usare o lavorare con il prodotto!

- Rispettare sempre le norme e i regolamenti locali quando si installa o si utilizza l'apparecchio LED.
- Non aprire o smontare l'apparecchio LED perché non contiene parti riparabili all'interno. L'apertura o la modifica dell'apparecchio a LED può essere pericolosa e invalida la garanzia.
- Non utilizzare l'apparecchio a LED quando l'apparecchio a LED o il suo cavo di alimentazione sono danneggiati. Sostituire il cavo di alimentazione solo con un cavo correttamente tarato.
- Modifiche ai cavi possono portare a effetti elettromagnetici indesiderati che possono rendere il prodotto non conforme ai requisiti legali.
- Non esporre il dispositivo LED a:
Umidità di condensazione, nebbia pesante o spruzzo diretto;
Temperature ambiente al di fuori dell'intervallo specificato;
Polvere e contaminazione;
Luce diretta del sole durante l'uso o HID luce che può riscaldare il driver.
- Scollegare sempre l'apparecchio LED dalla rete elettrica prima di eseguire qualsiasi manutenzione.
- Lasciare sempre per un periodo di raffreddamento di almeno 20-30 minuti prima di toccare il dispositivo a LED. Toccare l'apparecchio a LED quando l'apparecchio è acceso o immediatamente dopo può provocare ustioni!
- La convezione naturale rimuove il calore dal dissipatore di calore. Affinché il sistema possa raffreddarsi correttamente, sono necessari almeno 5 cm di spazio tra l'apparecchio e il tetto dell'area di coltivazione.
- Non utilizzare materiali abrasivi o detergenti aggressivi per pulire l'apparecchio a LED, poiché ciò potrebbe danneggiare l'ottica secondaria. Usare invece un tessuto/panno pulito, umido o asciutto.
- Non utilizzare l'apparecchio a LED vicino a sostanze infiammabili, esplosive o reattive. L'apparecchio a LED può raggiungere temperature di 40°C.
- Non utilizzare vaporizzatori di zolfo o nebulizzatori d'acqua.
- L'installazione e l'uso del dispositivo del LED è responsabilità dell'utente finale. L'uso o l'installazione non corretti possono causare guasti e danni al dispositivo a LED. Danni all'apparecchio a LED e alla circuiteria elettronica a seguito di installazione e utilizzo errati revocano la garanzia.

5. CONTENUTO

1x MANUALE



6. INSTALLAZIONE

Attenzione! Il montaggio e l'installazione dell'apparecchio LED devono essere conformi alle leggi e ai regolamenti locali applicabili.

Attenzione! L'installatore è responsabile della corretta e sicura installazione.

Attenzione! Assicurarsi che il cablaggio locale possa supportare i requisiti di tensione e di corrente dell'apparecchio a LED.

Attenzione! Evitare i cavi a spirale e tenere separati i cavi di alimentazione per aiutare a prevenire le interferenze elettromagnetiche.

Attenzione! Non collegare o scollegare l'apparecchio LED sotto carico.

6.1 Montaggio e installazione dell'apparecchio

Attenzione! Montare il sistema su qualcosa che possa sostenere il peso dell'apparecchio LED.

ATTENZIONE! La barra luminosa viene spedita con una copertura di plastica protettiva sopra i diodi. Si prega di assicurarsi che questa copertura protettiva sia rimossa prima dell'uso!

Inserire i ganci di metallo nei fori di montaggio su ciascun lato della barra luminosa, ad entrambe le estremità.

Appendere l'apparecchio nella posizione e all'altezza desiderata.

La barra luminosa può essere appesa orizzontalmente sopra la chioma della pianta o verticalmente a lato per una penetrazione supplementare.

Per prestazioni ottimali, posizionare l'apparecchio a 15 cm - 40 cm dalle piante.

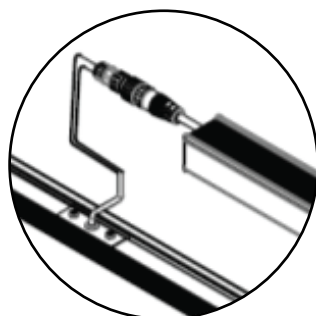


6.2 Collegare e scollegare il driver LED

Posizionare il driver LED in modo appropriato assicurandosi che non sia al sole diretto o alla luce HID in modo da evitare il surriscaldamento e non direttamente sul pavimento dove potrebbe venire a contatto con acqua o sostanze nutritive.

Per collegare l'uscita del driver all'apparecchio; assicurarsi che il connettore del cavo di alimentazione OUTPUT del driver sia correttamente allineato con il corrispondente connettore del cavo della barra luminosa e spingerli insieme fino a sentire "clic".

Per scollegare; girare il connettore twist-lock in senso antiorario per sbloccare e staccarlo.



Assicurarsi che i connettori twist-lock siano allineati correttamente e poi spingerli insieme fino al "clic". Ruotare il twist-lock in senso antiorario e staccarlo per scollegare.

6.3 Collegare il dimmer manuale o il controller di illuminazione esterno e regolare l'intensità della luce (dimmerazione)

L'intensità luminosa dell'apparecchio LED può essere regolata senza cambiare lo spettro o perdere efficienza. Ciò significa che il PPF può essere regolato al livello corretto per la propagazione, la clonazione, i cicli di crescita vegetativa e di fioritura.

L'apparecchio a LED può essere collegato a un regolatore di luminosità manuale 0-10V o a un Lumatek Control Panel Plus/regolatore di illuminazione universale (tutti venduti separatamente) tramite il cavo DIM IN sul driver, permettendo di regolare l'intensità della luce (livello PPF) tra il 20% e il 100% dell'emissione luminosa.

Il controllo del dimmer o il controller di illuminazione è collegato al connettore del cavo di regolazione DIM IN sul driver dell'apparecchio;

Assicurarsi che i connettori siano allineati correttamente e poi spingerli insieme fino al "clic". Per scollegare: girare il twist-lock in senso antiorario e staccare.

6.4 Collegamento di apparecchi in serie per il controllo esterno

Per istruzioni dettagliate, consultare il manuale del Lumatek Control Panel

Più apparecchi possono essere collegati in serie per la commutazione simultanea e il controllo della dimmerazione con il pannello di controllo Lumatek Plus o qualsiasi controller universale 0-10V.

Posizionare e appendere ogni apparecchio in modo appropriato. Gli apparecchi Lumatek LED utilizzano il protocollo di segnale 0-10V per il controllo.

- Collegare il cavo di uscita del controller al connettore del cavo di regolazione DIM IN dell'apparecchio 1.

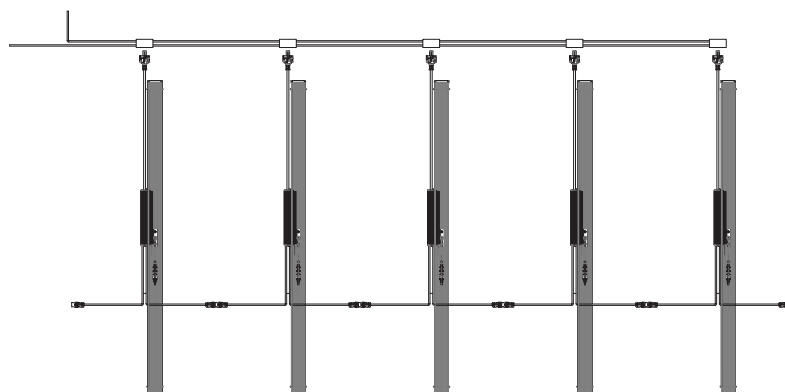
Poi;

- O collegare il cavo DIM OUT dell'apparecchio 1 al cavo di regolazione DIM IN dell'apparecchio 2, ecc.



- Collegare il cavo del segnale di comando a margherita (venduto separatamente) dal connettore DIM OUT dell'apparecchio 1 al connettore DIM IN dell'apparecchio 2.

- Continuare a collegare gli apparecchi in serie per un massimo di 100 apparecchi per controller, vedi Fig.



6.5 Collegamento dell'apparecchio LED alla rete elettrica

Attenzione! Assicurarsi che l'alimentazione di rete sia spenta.

Attenzione! Assicurarsi che il cavo di alimentazione non sia arrotolato e non tocchi superfici calde.

Attenzione! Collegare i cavi secondo le regole locali, le norme di sicurezza e il codice elettrico.

Attenzione! Se non si utilizza un controller di illuminazione esterno, assicurarsi che l'attrezzatura di commutazione esterna possa far fronte alla corrente di spunto dell'apparecchio LED. Utilizzare sempre un contattore temporizzato adatto a commutare un carico capacitivo. Non usare mai i timer domestici per accendere l'apparecchio LED!

Avvertimento! Non collegare o scollegare l'apparecchio a LED sotto carico.

Collegare la spina di alimentazione di rete all'alimentatore / alimentatore di commutazione.

Accendere l'alimentazione di rete.

7. ISPEZIONE, MANUTENZIONE E RIPARAZIONE

Avvertimento! Scollegare l'apparecchio dalla rete LED prima di eseguire qualsiasi intervento di manutenzione o riparazione.

Avvertimento! Non collegare o scollegare l'apparecchio a LED sotto carico.

Avvertimento! Non aprire o smontare l'apparecchio a LED, non contiene parti riparabili. L'apertura del dispositivo a LED può essere pericoloso e invalidare la garanzia.

Avvertimento! Attendere sempre 20 - 30 minuti per consentire alle barre luminose a LED di raffreddarsi.

Attenzione! Non pulire l'apparecchio a LED con detersivi, abrasivi o altre sostanze aggressive.

Controllare regolarmente l'apparecchio a LED per verificare che non vi siano accumuli di polvere o sporcizia. Pulire se necessario. La contaminazione può causare surriscaldamento e riduzione delle prestazioni. Pulire l'esterno dell'apparecchio a LED con un panno asciutto o umido.

Controllare regolarmente i cavi del dispositivo a LED per assicurarsi che non sia danneggiato.

8. CONSERVAZIONE E SMALTIMENTO

Conservare l'apparecchio a LED in un ambiente asciutto e pulito, con una temperatura ambiente compresa tra -25°C e 55°C.

Il prodotto non deve essere scartato come rifiuto urbano non differenziato, ma deve essere raccolto separatamente ai fini del trattamento, del recupero e dello smaltimento ecocompatibile.

9. GARANZIA

Lumatek garantisce che i componenti meccanici ed elettronici del suo prodotto sono esenti da difetti di materiale e di lavorazione se utilizzati in condizioni operative normali per un periodo di cinque (5) anni dalla data originale di acquisto. Se il prodotto presenta dei difetti entro questo periodo e il difetto non è dovuto a un errore dell'utente o a un uso improprio, Lumatek potrà, a sua discrezione, sostituire o riparare il prodotto utilizzando prodotti o parti nuove o ricondizionate adeguate. Nel caso in cui Lumatek decida di sostituire l'intero prodotto, la presente garanzia limitata si applicherà al prodotto sostitutivo per il restante periodo di garanzia iniziale, ovvero cinque (5) anni dalla data di acquisto del prodotto originale. Per il servizio; restituire il prodotto al tuo negozio con la ricevuta di vendita originale.

MANUEL LUMATEK 100W FULL SPECTRUM INDIVIDUAL SUPPLEMENTAL LED LIGHT BAR

FRANÇAIS

TABLE DES MATIÈRES

1. **Introduction**
2. **Description du produit**
3. **Informations et spécifications sur le produit**
 - 3.1 Informations générales sur le produit
 - 3.2 Spécifications techniques
 - 3.3 Dimensions du luminaire
 - 3.4 Graphique de distribution quantique spectrale
 - 3.5 Courbe de distribution de la lumière
 - 3.6 Environnement
 - 3.7 Informations légales
4. **Recommandations de sécurité et avertissements**
5. **Contenu**
6. **Installation**
 - 6.1 Montage et installation de la barre lumineuse
 - 6.2 Connecter et déconnecter le transformateur LED
 - 6.3 Raccordement du variateur manuel ou du contrôleur d'éclairage externe et réglage de l'intensité lumineuse (variation)
 - 6.4 Connexion des luminaires en série pour un contrôle externe
 - 6.5 Raccordement du luminaire à LED au secteur
8. **Inspection, entretien et réparation**
9. **Stockage et élimination**
10. **garantie**

1. INTRODUCTION

Nous vous remercions d'avoir acheté la barre lumineuse LED supplémentaire Lumatek 100W Full Spectrum. Ce manuel décrit comment installer et utiliser la barre lumineuse. Veuillez lire attentivement ce manuel avant de tenter d'installer ou d'utiliser tout système Lumatek. Si vous n'êtes pas à l'aise avec l'installation de systèmes d'éclairage à haute performance, vous devriez faire appel aux services d'un professionnel de l'installation qualifié.

2. DESCRIPTION DU PRODUIT

La barre lumineuse LED 100W Full Spectrum de Lumatek est un appareil électronique pour l'horticulture utilisant une bande linéaire avec un transformateur LED intelligent à distance qui rend l'appareil contrôlable et gradable de l'extérieur. La barre d'éclairage LED 100W Full Spectrum est une solution d'éclairage d'appoint à cycle complet ultra-haute performance pour la culture horticole commerciale et l'agriculture d'intérieur, avec la puissance et la flexibilité nécessaires pour s'adapter à la propagation et au clonage, à la croissance végétative et à l'ajout d'intensités lumineuses plus élevées en floraison.

Cette barre de LED polyvalente possède les mêmes diodes et produit la même quantité de lumière et les mêmes spectres que les barres de LED de la série Zeus Pro 2.9, mais elle est dotée de son propre transformateur à distance de 100 W, ce qui permet de positionner la barre de LED de manière plus flexible pour des applications plus larges.

La barre lumineuse de 100W peut être utilisée pour la propagation des graines et des clones dans une zone de 140 x 25cm ou comme lumière de croissance supplémentaire pour remplir les zones autour des systèmes LED existants ou même pour augmenter le rendement avec les systèmes HID.

Dans ce manuel, la barre lumineuse à LED complémentaire Lumatek 100W Full Spectrum sera désignée par : "le luminaire à LED".

3. INFORMATIONS ET SPÉCIFICATIONS SUR LE PRODUIT

3.1 Informations générales sur le produit

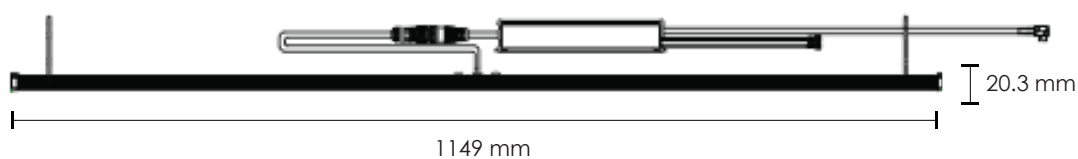
NOM DU PRODUIT	Barre lumineuse LED complémentaire 100W à spectre complet
CODE PRODUIT	LUMLED012
FABRICANT	Lumatek EU
EAN	5060560031215
TYPE DE PRISE	UK/EU

3.2 Spécifications techniques

PPF	295 $\mu\text{mol/s}$
EFFICACITÉ	Jusqu'à 2.9 $\mu\text{mol/J}$
SPECTRE	Spectre complet F
SOURCE DE LUMIÈRE	Spécification plus élevée LUMILEDS (W) & Osram (R) LED
DIMENSIONS	1148 x 20 x 53mm
POIDS	1.1Kg
DURÉE DE VIE	60000H
TEMPÉRATURE DE FONCTIONNEMENT	-20° -- +40°C
TAUX D'HUMIDITÉ ACCEPTÉ	20% - 90%
RÉSISTANCE À L'EAU/POUSSIÈRE	IP65
ANGLE DU FAISCEAU	120°
VARIATION MANUELLE/ CONTRÔLEUR D'ÉCLAIRAGE EXTERNE	Protocole de signal 0-10V

TENSION D'ENTRÉE (V)	RAPPORT DE GRADATION	PUISSANCE D'ENTRÉE (W)	COURANT D'ENTRÉE (A)
Vmains=230V 50/60Hz AC	100%	105	0.48
	75%	84	0.38
	50%	55	0.26
	25%	29	0.17
Vmains=240V 50/60Hz AC	100%	105	0.46
	75%	84	0.37
	50%	55	0.26
	25%	29	0.17
Vmains=277V 50/60Hz AC	100%	105	0.41
	75%	84	0.33
	50%	55	0.24
	25%	29	0.16

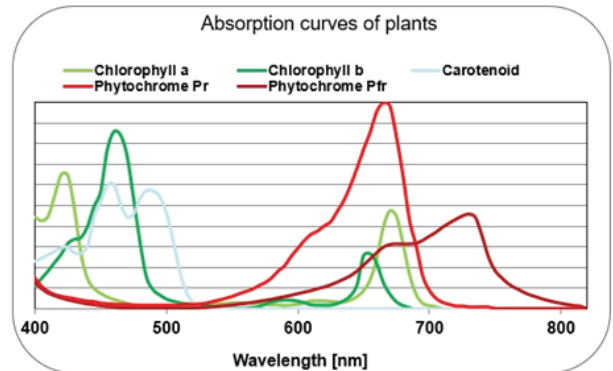
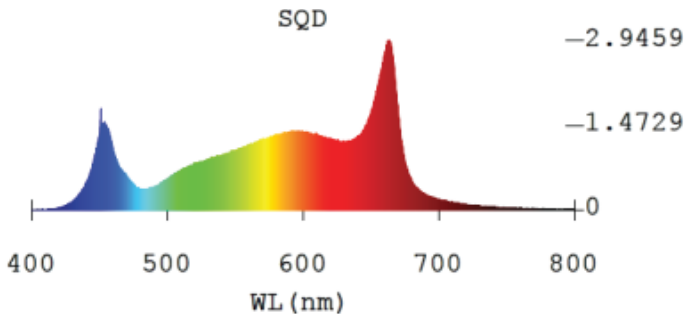
3.3 Dimensions du luminaire



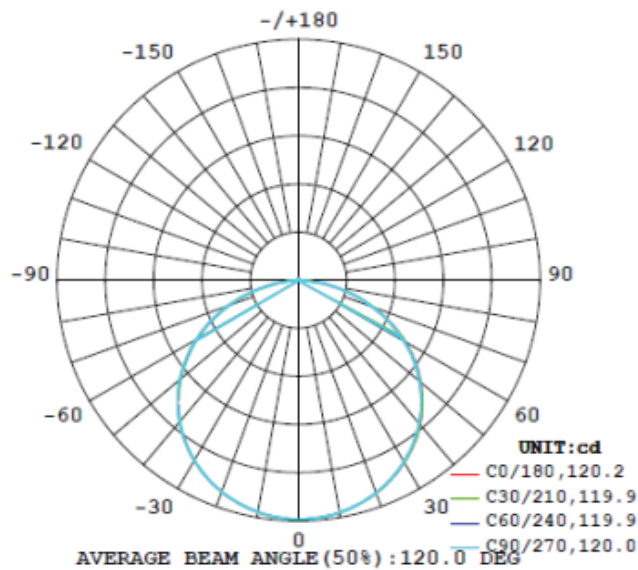
- Câble de barre lumineuse 4000mm (4m)
- Câble DIM IN 300mm
- Câble DIM OUT 300mm
- Câble d'alimentation INPUT 4000mm (4m)

3.4 Graphique de distribution quantique spectrale

Les barres lumineuses de la série Zeus utilisent des LEDs LUMILEDS blanches et rouges Osram de haute qualité et très efficaces pour créer un spectre complet et équilibré de lumière de qualité, idéal pour la photosynthèse. Full Spectrum F a été développé pour un cycle complet de croissance des cultures et est légèrement pondéré pour la floraison.



3.5 Courbe de distribution de la lumière



3.6 Environnement

Le luminaire à LED est destiné à être utilisé dans des salles de culture et des fermes intérieures à climat contrôlé. Le produit peut être utilisé dans des environnements humides mais ne peut pas être utilisé dans des environnements mouillés ou à l'extérieur.

Le produit fonctionnera à des températures ambiantes allant de -10°C à 40°C mais fonctionnera de manière optimale entre 20°C et 30°C.

Le produit fonctionnera dans un taux d'humidité de 20% à 90%, sans condensation.

3.7 Informations légales

Ce produit est certifié UKCA et CE et conforme aux normes de test des directives LVD et EMC.

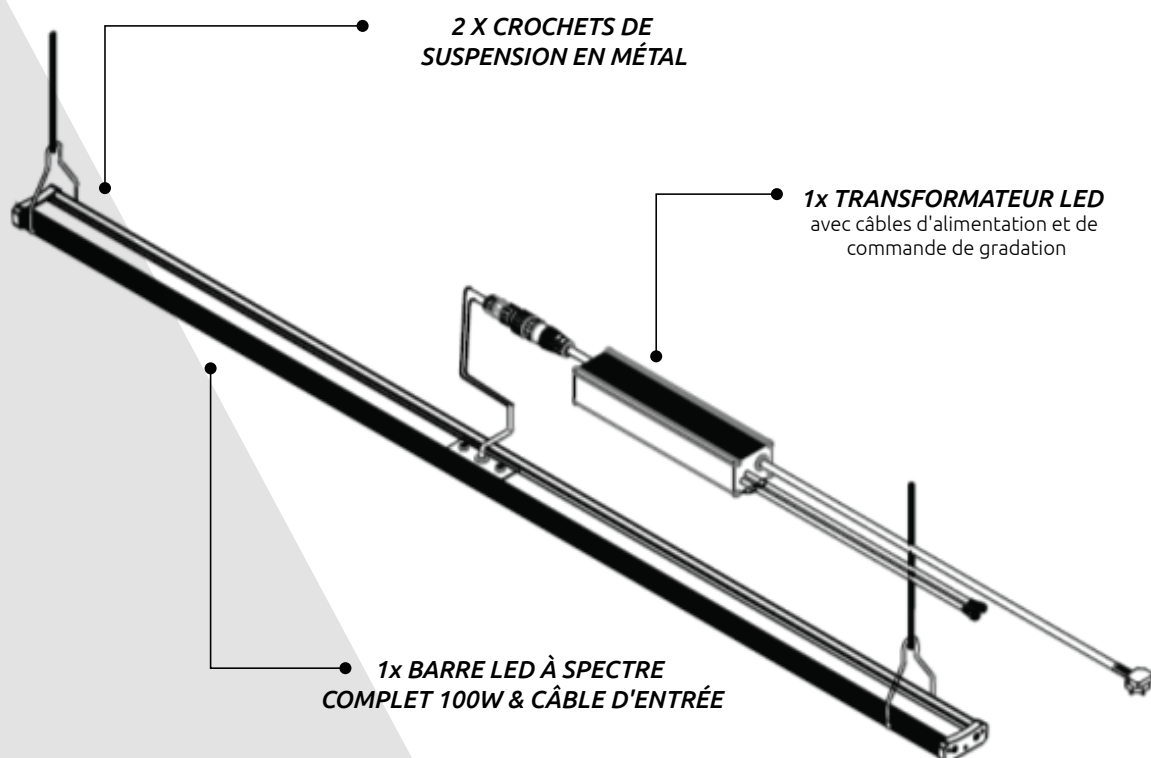
4. RECOMMANDATIONS DE SÉCURITÉ ET AVERTISSEMENTS

Avertissement ! Lisez attentivement les avertissements ci-dessous avant d'utiliser ou de travailler avec le produit !

- Respectez toujours les règles et réglementations locales lors de l'installation ou de l'utilisation du luminaire à LED.
- N'ouvrez pas ou ne démontez pas le luminaire à LED car il ne contient aucune pièce réparable. Ouvrir ou modifier le luminaire à LED peut être dangereux et annule la garantie.
- N'utilisez pas le luminaire à LED si le luminaire à LED ou son câble d'alimentation sont endommagés. Remplacez le câble d'alimentation uniquement par un câble de valeur nominale correcte.
- Les modifications apportées aux câbles peuvent entraîner des effets électromagnétiques indésirables qui peuvent rendre le produit non conforme aux exigences légales.
- N'exposez pas le luminaire à LED à :
De l'humidité condensée, brume épaisse ou pulvérisation directe ;
Des températures ambiantes en dehors de la plage spécifiée ;
De la poussière et de la pollution ;
- La lumière directe du soleil pendant l'utilisation ou de la lumière HID qui pourraient conduire à la surchauffe du transformateur.
- Débranchez toujours le luminaire à LED du secteur avant d'effectuer tout entretien.
- Laissez toujours refroidir l'appareil pendant au moins 20 à 30 minutes avant de le toucher. Si vous touchez le luminaire à LED lorsqu'il est allumé ou immédiatement après, vous risquez de vous brûler !
- La convection naturelle évacue la chaleur du dissipateur. Pour que le système puisse se refroidir correctement, un espace d'au moins 5 cm est nécessaire entre l'appareil et le toit de votre espace de culture.
- N'utilisez pas de matériaux abrasifs ou de produits de nettoyage agressifs pour nettoyer le luminaire à LED car cela pourrait endommager l'optique secondaire. Utilisez plutôt un tissu/chiffon propre, humide ou sec.
- N'utilisez pas le luminaire à LED à proximité de substances inflammables, explosives ou réactives. Le luminaire à LED peut atteindre des températures de 40°C.
- Ne pas utiliser de vaporisateurs de soufre ou de brumisateurs d'eau.
- L'installation et l'utilisation du luminaire à LED sont de la responsabilité de l'utilisateur final. Une utilisation ou une installation incorrecte peut entraîner une panne et endommager le luminaire à LED. Tout dommage au luminaire à LED et aux circuits électroniques résultant d'une installation ou d'une utilisation incorrecte annule la

5. CONTENU

1x MANUALE



6. INSTALLATION

Avertissement ! Le montage et l'installation du luminaire à LED doivent être conformes aux lois et réglementations locales en vigueur.

Avertissement ! L'installateur est responsable d'une installation correcte et sécurisée.

Avertissement ! Assurez-vous que le câblage local peut supporter les exigences de tension et de courant du luminaire à LED.

Avertissement ! Évitez les câbles en spirale et gardez les fils d'alimentation séparés pour contribuer à l'évitement des interférences électromagnétiques.

Avertissement ! Ne pas connecter ou déconnecter le luminaire à LED sous tension.

6.1 Montage et installation de la barre lumineuse

Attention ! Montez le système sur quelque chose qui peut supporter le poids du luminaire à LED.

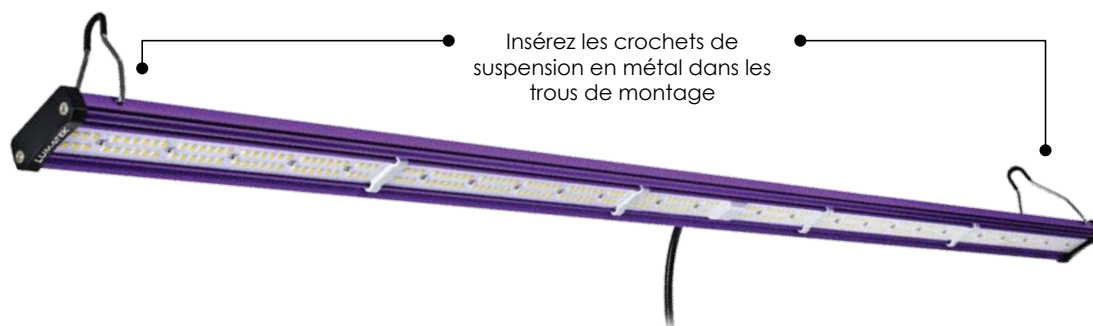
AVERTISSEMENT ! La barre lumineuse est expédiée avec un couvercle de protection en plastique sur les diodes. Veillez à ce que ce couvercle de protection soit retiré avant l'utilisation !

Insérez les crochets de suspension en métal dans les trous de montage de chaque côté de la barre lumineuse, aux deux extrémités.

Accrochez le luminaire dans la position et à la hauteur requises.

La barre lumineuse peut être suspendue horizontalement au-dessus du couvert végétal ou verticalement sur le côté pour une pénétration supplémentaire.

Pour une performance optimale, placez le luminaire à 15 cm - 40 cm des plantes.

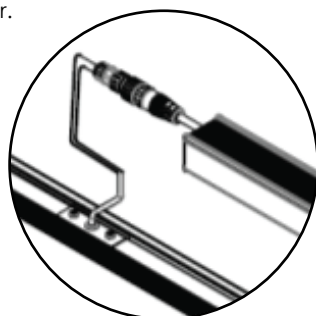


6.2 Connecter et déconnecter le transformateur LED

Placez le transformateur LED de manière appropriée en veillant à ce qu'il ne soit pas directement exposé au soleil ou à la lumière HID afin d'éviter toute surchauffe et qu'il ne soit pas directement sur le sol où il pourrait entrer en contact avec de l'eau ou des nutriments.

Pour connecter la sortie du transformateur à l'appareil, assurez-vous que le connecteur du câble de sortie d'alimentation du transformateur est correctement aligné avec le connecteur du câble de la barre lumineuse correspondante et poussez-le jusqu'à ce qu'il soit verrouillé par un clic.

Pour le déconnecter, tournez le connecteur à verrouillage rotatif dans le sens inverse des aiguilles d'une montre pour le déverrouiller et le séparer.



Assurez-vous que les connecteurs à verrous tournants sont correctement alignés, puis poussez-les l'un vers l'autre jusqu'à ce qu'ils soient verrouillés par un clic. Tournez le verrou tournant dans le sens inverse des aiguilles d'une montre et séparez-le pour le déconnecter.

6.3 Raccordement du variateur manuel ou du contrôleur d'éclairage externe et réglage de l'intensité lumineuse (variation)

L'intensité lumineuse de l'appareil à LED peut être ajustée sans modifier le spectre ni perdre en efficacité. Cela signifie que le PPF peut être ajusté au niveau correct pour les cycles de propagation, de clonage, de croissance végétative et de floraison.

Le luminaire à LED peut être connecté à un contrôleur de variation manuel 0-10V ou à un panneau de contrôle Plus/universel de Lumatek (tous vendus séparément) via le câble de variation DIM IN sur le transformateur, ce qui permet de régler l'intensité lumineuse (niveau PPF) entre 20% et 100% de sortie de lumière.

The dimmer control or lighting controller is connected to the DIM IN dimming cable connector on the fixture driver;

La commande du variateur ou le contrôleur d'éclairage est connecté au connecteur du câble de variation DIM IN sur le transformateur du luminaire ;

Assurez-vous que les connecteurs sont correctement alignés, puis poussez-les l'un vers l'autre jusqu'à ce qu'ils soient verrouillés par un clic. Pour les libérer : tournez le verrou tournant dans le sens inverse des aiguilles d'une montre et séparez-les.

6.4 Connexion des appareils en série pour le contrôle externe

Pour des instructions détaillées, veuillez vous référer au manuel du panneau de contrôle Lumatek.

Plusieurs appareils peuvent être reliés en série pour un contrôle simultané de la commutation et de la variation avec le panneau de contrôle Plus de Lumatek ou tout autre contrôleur d'éclairage universel 0-10V.

Positionnez et suspendez chaque luminaire de manière appropriée. Les luminaires à LED Lumatek utilisent un protocole de signal 0-10V pour le contrôle.

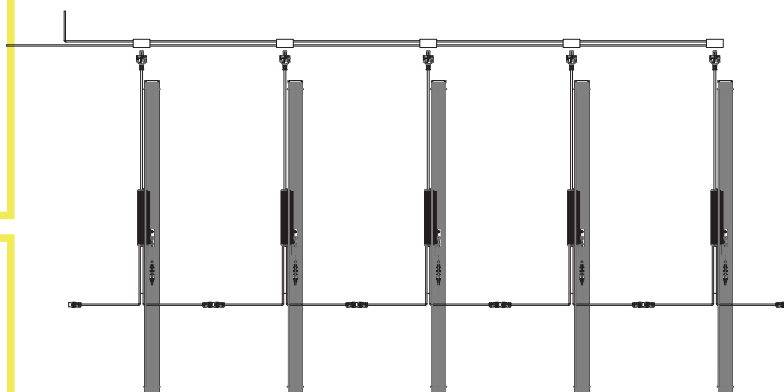
- Connectez le câble de sortie du contrôleur au connecteur du câble de variation DIM IN du luminaire 1.

Puis soit

- Connectez le câble de variation DIM OUT du luminaire 1 au câble de variation DIM IN du luminaire 2... etc...

soit

- Connectez le câble de signal de contrôle en guirlande (vendu séparément) du connecteur DIM OUT du luminaire 1 au connecteur DIM IN du luminaire 2.
- Continuez à connecter les appareils en série pour un maximum de 100 appareils par contrôleur, voir Fig.



6.5 Raccordement du luminaire à LED au secteur

Avertissement ! Assurez-vous que l'alimentation secteur est coupée.

Avertissement ! Assurez-vous que le câble d'alimentation n'est pas enroulé et qu'il ne touche pas de surfaces chaudes.

Avertissement ! Connectez les câbles conformément aux règles locales, aux règlements de sécurité et au code électrique.

Attention ! Si vous n'utilisez pas de contrôleur d'éclairage externe, assurez-vous que le dispositif de commutation externe peut supporter le courant d'arrivée du luminaire à LED. Utilisez toujours un contacteur temporisé adapté à la commutation d'une charge capacitive. N'utilisez jamais de minuteur domestique pour allumer le luminaire à LED !

Attention ! Ne connectez ou déconnectez pas la lampe LED sous tension.

Branchez la fiche d'alimentation secteur sur l'appareil de commutation/l'alimentation électrique.

Mettez l'appareil sous tension.

7. INSPECTION, MAINTENANCE ET RÉPARATION

Attention ! Déconnectez les 4 lampes LED de l'alimentation avant d'effectuer toute maintenance ou réparation.

Attention ! Ne connectez ou déconnectez pas la lampe LED sous tension.

Attention ! N'ouvrez pas et ne démontez pas la lampe LED car elle contient des pièces non remplaçables à l'intérieur. L'ouverture ou la modification de la lampe LED peut être dangereux et révoquera sa garantie.

Attention ! Attendez toujours entre 20 et 30 minutes afin que les barres lumineuses LED refroidissent.

Avertissement ! Ne nettoyez pas la lampe LED avec des détergents, produits abrasifs ou toute autre substance agressive.

Vérifiez régulièrement qu'il n'y est pas d'accumulation de poussière ou de saletés sur la lampe LED. Nettoyez-la si nécessaire. La pollution peut causer la surchauffe et une baisse de performances. Nettoyez l'extérieur de la lampe LED à l'aide d'un chiffon sec ou humide.

Vérifiez régulièrement que les câbles de la lampe LED ne soient pas endommagés.

8. STOCKAGE ET DISPOSITION

Stockez le luminaire LED dans un environnement sec et propre, avec une température ambiante de -25°C à 55°C.

Le produit ne doit pas être jeté comme un déchet municipal non trié, mais doit être collecté séparément à des fins de traitement, de récupération et d'élimination écologiquement propre.

9. GARANTIE

Lumatek garantit que les composants mécaniques et électroniques de son produit sont exempts de défauts de matériaux et de fabrication s'ils sont utilisés dans des conditions normales d'exploitation pendant une période de cinq (5) ans à compter de la date d'achat originale. Si le produit présente des défauts pendant cette période et que ces défauts ne sont pas dus à une erreur de l'utilisateur ou à une utilisation incorrecte, Lumatek remplacera ou réparera, à sa discrétion, le produit en utilisant des produits ou des pièces neufs ou reconditionnés. Dans le cas où Lumatek décide de remplacer l'ensemble du produit, cette garantie limitée s'appliquera au produit de remplacement pour la période de garantie initiale restante, c'est-à-dire cinq (5) ans à compter de la date d'achat du produit original. Pour ce service, retournez le produit à votre magasin avec le reçu d'achat original.

LUMATEK 100W INDIVIDUÁLNÍ DOPLŇKOVÁ LED SVĚTELNÉ LIŠTY PLNÉHO SPEKTRA MANUÁL

ČEŠTINA

OBSAH

- 1. Úvod**
- 2. Popis produktu**
- 3. Informace o produktu a technické údaje**
 - 3.1 Obecné informace o produktu
 - 3.2 Technické specifikace
 - 3.3 Rozměry svítidla
 - 3.4 Spektrální kvantový graf distribuce
 - 3.5 Křivka rozložení světla
 - 3.6 Prostředí
 - 3.7 Právní
- 4. Bezpečnostní doporučení a varování**
- 5. Obsah**
- 6. Instalace**
 - 6.1 Montáž a instalace svítidla
 - 6.2 Připojení a odpojení LED trafa
 - 6.3 Připojení ručního stmívače nebo externího ovladače osvětlení a nastavení intenzity světla (stmívání)
 - 6.4 Připojení zařízení do série pro externí ovládání
 - 6.5 Připojení LED zařízení k elektrické síti
- 8. Inspekce, údržba a opravy**
- 9. Skladování a likvidace**
- 10. Záruka**

1. ÚVOD

Děkujeme, že jste si zakoupili doplňkovou LED světelnou lištu Lumatek 100W plné spektrum. Tato příručka popisuje, jak světelnou lištu nainstalovat a používat; Před instalací nebo provozem jakéhokoli systému Lumatek si prosím důkladně přečtete tuto příručku. Pokud si na instalaci vysoce výkonných osvětlovacích systémů netroufáte, měli byste vyhledat služby kvalifikovaného instalatéra.

2. POPIS PRODUKTU

Doplňková LED světelná lišta Lumatek 100W plné spektrum je elektronické pěstitelské LED svítidlo využívající lineární pásový design s inteligentním dálkovým LED trafem, díky kterému je svítidlo externě ovladatelné a stmívatelné. Doplňková 100 W LED světelná lišta plné spektrum je mimořádně výkonné a špičkové doplňkové řešení osvětlení pro komerční pěstitrny a vnitřní farmy pro celý cyklus, s výkonem a flexibilitou od škálování a klonování přes vegetativní růst až po doplnění vyšších intenzit světla v období květu.

Tato všestranná LED světelná lišta má stejné diody a vytváří stejné množství světla i šíři spektra jako světelné lišty Zeus Pro 2.9, ale díky vlastnímu samostatnému 100W dálkovému ovladači ji lze umístit flexibilně a tenké světelné lišty mají širší škálu aplikace.

100W světelnou lištu lze použít k vyrašení semínek a klonů v oblasti 140 x 25 cm nebo jako doplňkové pěstební světlo k vyplnění oblastí kolem stávajících LED systémů nebo dokonce ke zvýšení plodnosti díky HID systémům.

V této příručce bude doplňková LED světelná lišta Lumatek 100W Full Spectrum označována jako: „LED svítidlo“.

3. INFORMACE O PRODUKTU A SPECIFIKACE

3.1 Obecné produktové informace

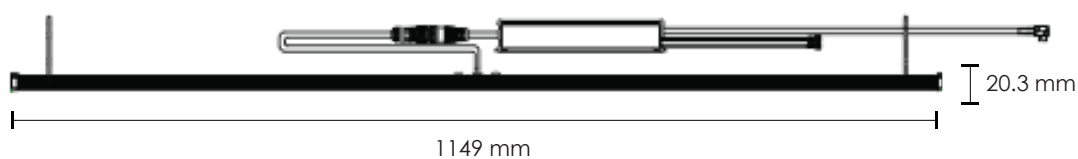
JMÉNO PRODUKTU	100W doplňková LED světelná lišta s plným spektrem
KÓD PRODUKTU	LUMLED012
VÝROBCE	Lumatek EU
EAN	5060560031215
TYP ZÁSTRČKY	UK/EU

3.2 Technické specifikace

PPF	295 $\mu\text{mol/s}$
ÚČINNOST	Až k 2.9 $\mu\text{mol/J}$
SPEKTRUM	Celé spectrum F
ZDROJ SVĚTLA	Vyšší spec LUMILEDS (W) & Osram (R) LED
ROZMĚRY	1148 x 20 x 53 mm
HMOTNOST	1.1Kg
ŽIVOTNOST	60000H
PRACOVNÍ TEPLOTA	-20° -- +40°C
PRACOVNÍ VLHKOST	20% - 90%
VODOTĚSNOST/ PRACHOTĚSNOST	IP65
ÚHEL PAPRSKU	120°
MANUÁLNÍ OVLADAČ STMÍVÁNÍ / EXTERNÍHO OSVĚTLENÍ	0-10V signální protokol

VSTUPNÍ NAPĚTÍ (V)	POMĚR STMÍVÁNÍ	PŘÍKON (W)	VSTUPNÍ PROUD (A)
V _{mains} =230V 50/60Hz AC	100%	105	0.48
	75%	84	0.38
	50%	55	0.26
	25%	29	0.17
V _{mains} =240V 50/60Hz AC	100%	105	0.46
	75%	84	0.37
	50%	55	0.26
	25%	29	0.17
V _{mains} =277V 50/60Hz AC	100%	105	0.41
	75%	84	0.33
	50%	55	0.24
	25%	29	0.16

3.3 Rozměry svítidla



Kabel světelné lišty 4000 mm (4 m)

DIM IN kabel 300 mm

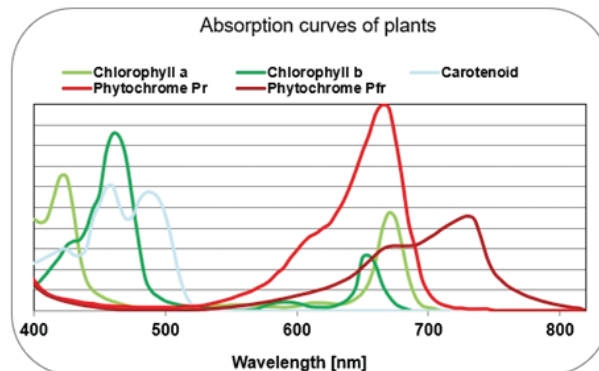
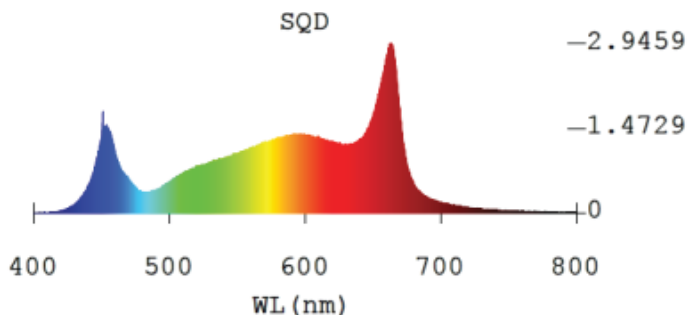
DIM OUT kabel 300 mm

Napájecí vstupní kabel 4000 mm (4 m)

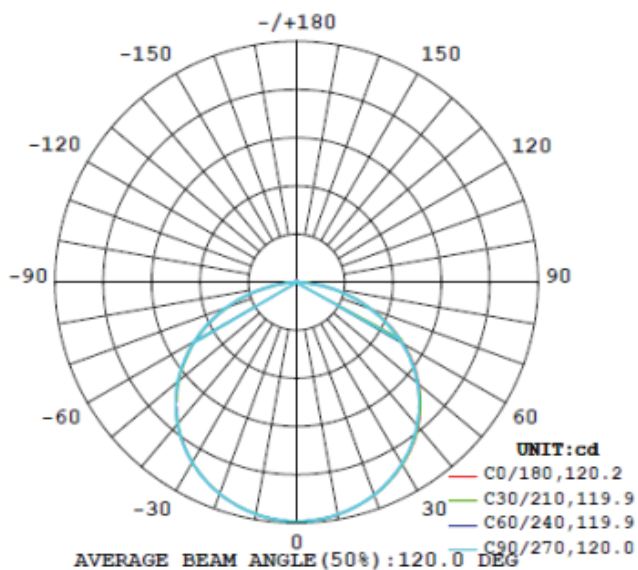
3.4 Spektrální distribuce kvantového grafu

Světelné lišty Zeus používají vysoce účinné LUMILEDS bílé a Osram červené LED diody vysokých specifikací k vytváření plného vyváženého spektra kvalitního světla ideálního pro fotosyntézu.

Full Spectrum F bylo vyvinuto pro celý cyklus růstu plodin a je mírně zaměřeno pro období květu.



3.5 Křivka rozložení světla



3.6 Prostředí

LED svítidlo je určeno k použití v klimaticky řízených pěstírnách a vnitřních farmách. Produkt může být používán ve vlhkém prostředí, ale nesmí být používán v mokřem prostředí nebo venku.

Produkt bude fungovat při teplotách okolí od -10 °C do 40 °C, ale bude fungovat na optimální úrovni mezi 20 °C až 30 °C.

Produkt bude fungovat při 20% - 90% vlhkosti bez kondenzace.

3.7 Právní

Tento výrobek je certifikován podle UKCA a CE a vyhovuje testovacím normám směrnice LVD a EMC.

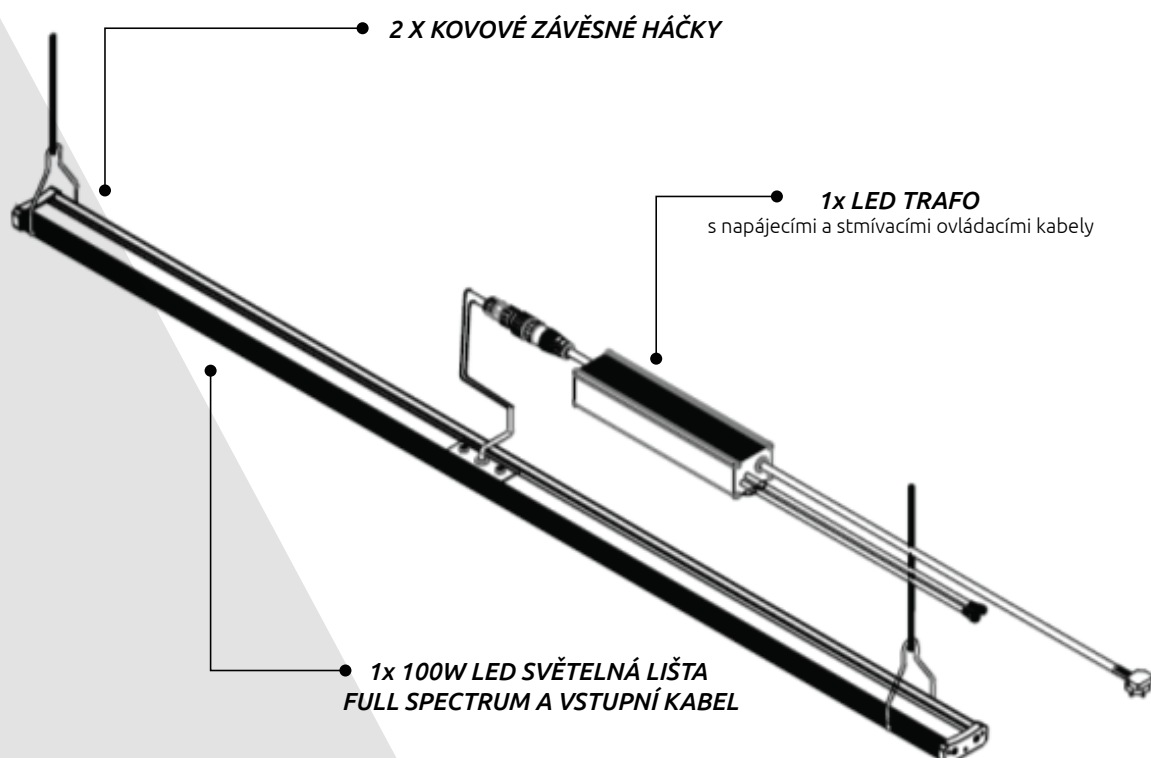
4. BEZPEČNOSTNÍ DOPORUČENÍ A VAROVÁNÍ

Varování! Před použitím nebo prací s výrobkem si pozorně přečtěte níže uvedená varování!

- Při instalaci nebo používání LED svítidla vždy dodržujte místní pravidla a předpisy.
- Neotvírejte ani nerozebírejte LED svítidlo. Uvnitř neobsahuje žádné opravitelné součásti. Otevření nebo úprava LED svítidla může být nebezpečné a ruší záruku.
- Nepoužívejte LED zařízení, pokud je LED zařízení poškozeno nebo pokud je poškozen jeho napájecí kabel. Vyměňte napájecí kabel pouze za správně dimenzovaný kabel.
- Úpravy kabelů mohou vést k nežádoucím elektromagnetickým účinkům, které mohou způsobit, že produkt nebude splňovat zákonné požadavky.
- Nevystavujte svítidlo LED:
Kondenzující vlhkosti, husté mlze nebo přímému postřiku;
Okolní teploty mimo stanovený rozsah;
Prach a znečištění;
Přímé sluneční světlo během používání nebo HID světlo, které může zahřát zdroj.
- Před prováděním jakékoli údržby vždy odpojte LED zařízení od sítě.
- Než se LED zařízení dotknete, nechejte zařízení vždy alespoň 20 - 30 minut vychladnout. Dotknutí se LED zařízení, když je zařízení zapnuté, nebo bezprostředně poté, může způsobit popáleniny!
- Přirozená konvekce odvádí teplo od chladiče. Aby se systém dostatečně chladil, je zapotřebí alespoň 5 cm prostoru mezi přípravkem a střešou vaší pěstiny.
- K čištění LED svítidla nepoužívejte abrazivní materiály ani agresivní čisticí prostředky, protože by mohlo dojít k poškození sekundární optiky. Místo toho použijte čistou vlhkou nebo suchou látku/hadřík.
- Nepoužívejte LED svítidlo v blízkosti hořlavých, výbušných nebo reaktivních látek. LED svítidlo může dosáhnout teploty 40 ° C.
- Nepoužívejte sirmé odpařovače ani vodní mlhy.
- Za instalaci a používání LED svítidla odpovídá konečný uživatel. Nesprávné použití nebo instalace může vést k poruše a poškození LED svítidla. Poškození LED svítidla a elektronických obvodů v důsledku nesprávné instalace a použití ruší záruku.

5. OBSAH

1x manuál



6. INSTALACE

Varování! Montáž a instalace LED svítidla musí být v souladu s příslušnými místními zákony a předpisy.

Varování! Instalační technik odpovídá za správnou a bezpečnou instalaci.

Varování! Zajistěte, aby místní kabeláž mohla podporovat požadavky na napětí a proud LED svítidla.

Varování! Vyvarujte se stočených kabelů a udržujte napájecí kabely odděleně. Zabráňte elektromagnetickému rušení.

Varování! Nepřipojujte ani neodpojujte LED svítidlo pod zátěží.

6.1 Montáž a instalace svítidla

VAROVÁNÍ! Namontujte systém na něco, co unese nosnost LED svítidla.

VAROVÁNÍ! Světelná lišta je dodávána s ochranným plastovým krytem, který je umístěn přes diody. Před použitím se ujistěte, že je tento ochranný kryt odstraněn!

Vložte kovové závěsné háčky do montážních otvorů na obou koncích světelné lišty.

Zavěste zařízení do požadované polohy a výšky.

Světelnou lištu lze zavěsit vodorovně nad baldachýn rostliny nebo svisle po straně, kde slouží jako dodatečné osvětlení.

Pro optimální výkon umístěte svítidlo ve vzdálenosti 15 cm - 40 cm od rostlin.

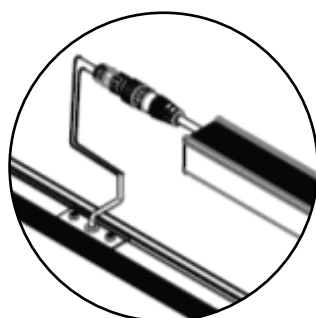


6.2 Připojení a odpojení LED trafo

Umístěte LED trafo vhodně tak, aby nebyl na přímém slunci nebo HID světle, aby nedošlo k jeho přehřátí. Trafo nesmí být umístěno přímo na podlaze, kde by mohlo přijít do styku s vodou nebo živinami.

Pro připojení výstupu trafo k zařízení; zkontrolujte, zda je konektor VÝSTUPNÍHO kabelu napájení trafo správně zarovnan s odpovídajícím VSTUPNÍM konektorem kabelu světelné lišty a zatlačte je k sobě, až nezacvaknou.

Pro odpojení; otočením konektoru proti směru hodinových ručiček spojení odemknete a kabel vytáhnete.



Zajistěte správné zarovnání otočných a uzamkycích konektorů a poté je přitlačte k sobě, až nezacvaknou. Spojení odpojte otočením zámku proti směru hodinových ručiček a vytážením.

6.3 Připojení ručního stmívače nebo externího ovladače osvětlení a nastavení intenzity světla (stmívání)

Intenzitu světla LED svítidla lze upravovat bez změny spektra nebo ztráty účinnosti. To znamená, že PPF lze upravit na správnou úroveň pro cykly rozmnožování, klonování, vegetativního a kvetení.

LED svítidlo lze připojit k ovladači stmívání 0-10 V nebo k ovladači Lumatek Control Panel Plus/univerzální osvětlení (vše prodáváno samostatně) pomocí stmívacího kabelu DIM IN na ovladači, který umožňuje nastavení intenzity světla (úroveň PPF) mezi 20 % - 100% světelný výkon.

Ovládání stmívače nebo ovladače osvětlení je připojeno ke konektoru stmívacího kabelu DIM IN na ovladači zařízení; Zajistěte správné zarovnání konektorů a poté je zatlačte k sobě, až nezaklapnou. Uvolnění: otočte otočným zámekem proti směru hodinových ručiček a odtáhněte je od sebe.

6.4 Zapojení svítidel do serie pro externí ovládání

Podrobné pokyny naleznete v příručce k ovládacímu panelu Lumatek.

Svítidla lze propojit do série za účelem současného ovládání přepínání a stmívání pomocí ovládacího panelu Lumatek Control Panel Plus nebo jakéhokoli univerzálního ovladače osvětlení 0-10V.

Každé zařízení vhodně umístěte a zavěste. LED svítidla Lumatek používají k ovládání protokol signálu 0-10V.

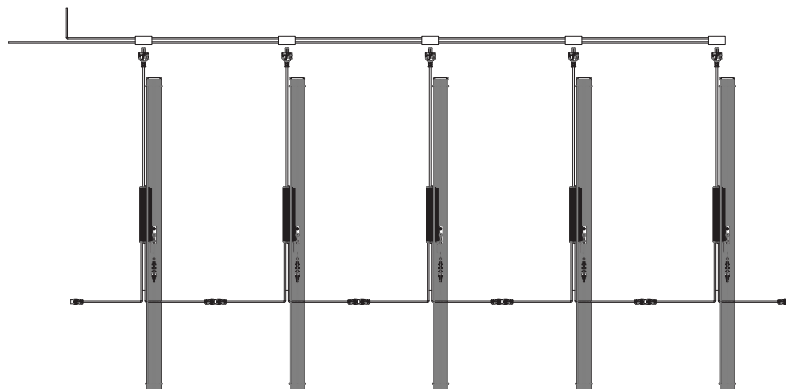
- Připojte výstupní kabel ovladače ke konektoru stmívacího kabelu svítidla 1 DIM IN.

Potom buď;

- Připojte stmívací kabel svítidla 1 DIM OUT k svítidla 2 ke stmívacímu kabelu DIM IN..atd

nebo

- Připojte propojovací kabel do serie (prodává se samostatně) z konektoru zařízení 1 DIM OUT do svítidla 2 konektoru DIM IN.
- Pokračujte v připojování zařízení do série až do 100 zařízení na jeden ovladač, viz obr.



6.5 Připojení LED zařízení k elektrické síti

Varování! Ujistěte se, že je napájení ze sítě vypnuto.

Varování! Zajistěte, aby napájecí kabel nebyl svinut a nedotýkal se žádných horkých povrchů.

Varování! Připojte kabely podle místních předpisů, bezpečnostních předpisů a elektrických předpisů.

Varování! Pokud nepoužíváte externí ovladač osvětlení, ujistěte se, že si externí spínací zařízení dokáže poradit se startovacím proudem LED svítidel. Vždy používejte stykač časovače vhodný pro spínání kapacitní zátěže. K přepínání LED zařízení nikdy nepoužívejte časovače pro domácnost!

Varování! Nepřipojujte ani neodpojujte LED zařízení při zatížení.

Připojte zástrčku ze sítě ke spínacímu zařízení/napájecímu zdroji.

Zapněte síťové napájení.

7. INSPEKCE, ÚDRŽBA A OPRAVY

Varování! Před prováděním jakékoli údržby nebo oprav odpojte LED svítidlo ze sítě.

Varování! Nepřipojujte ani neodpojujte LED svítidlo při zatížení.

Varování! Neotevírejte ani nerozebírejte LED svítidlo, uvnitř nejsou žádné opravitelné díly. Otevření LED svítidla může být nebezpečné a bude mít za následek ztrátu záruky.

Varování! Vždy počkejte 20 - 30 minut, než LED světelné lišty vychladnou.

Pozor! LED svítidlo nečistěte čisticími prostředky, abrazivy nebo jinými agresivními látkami.

Pravidelně kontrolujte, zda se v LED zařízení nehromadí prach nebo nečistoty. V případě potřeby jej vyčistěte. Kontaminace může způsobit přehřátí a snížení výkonu.

Vnější část LED svítidla čistěte suchým nebo vlhkým hadříkem.

Pravidelně kontrolujte kabely LED svítidla, zda nejsou poškozené.

8. SKLADOVÁNÍ A LIKVIDACE

Uchovávejte LED svítidlo v suchém a čistém prostředí s okolní teplotou od -25 ° C do 55 ° C.

Produkt nesmí být likvidován jako netříděný komunální odpad, ale musí být separován odděleně za účelem zpracování, využití a ekologické likvidace.

9. ZÁRUKA

Společnost Lumatek zaručuje, že mechanické a elektronické součástky jejich produktu neobsahují vady materiálu a zpracování, pokud jsou používány za normálních provozních podmínek po dobu pěti (5) let od původního data nákupu. Pokud výrobek během této doby vykazuje vady a vada není způsobena chybou uživatele nebo nesprávným použitím, společnost Lumatek podle svého uvážení buď vymění nebo opraví produkt pomocí vhodných nových nebo repasovaných produktů nebo dílů. V případě, že se společnost Lumatek rozhodne vyměnit celý produkt, bude se tato omezená záruka vztahovat na náhradní produkt po zbývajících počáteční záruční dobu, tj. Pět (5) let od data zakoupení původního produktu. Pro servis; vraťte produkt do obchodu s originálním potvrzením o prodeji.

СВЕТОДИОДНЫЙ СВЕТИЛЬНИК LUMATEK 100W FULL SPECTRUM РУКОВОДСТВО

РУССКИЙ

ОГЛАВЛЕНИЕ

1. **Введение**
2. **Описание продукта**
3. **Информация о продукте и технические характеристики**
 - 3.1 Общая информация о продукте
 - 3.2 Технические характеристики
 - 3.3 Размеры приспособления
 - 3.4 График спектрального квантового распределения
 - 3.5 Кривая светораспределения
 - 3.6 Окружающая среда
 - 3.7 Юридическая информация
4. **Рекомендации и предупреждения по безопасности**
5. **Содержание**
6. **Установка**
 - 6.1 Сборка и установка приспособлений
 - 6.2 Подключение и отключение светодиодного драйвера
 - 6.3 Подключение ручного диммера или внешнего контроллера освещения и регулировка интенсивности света (диммирование)
 - 6.4 Последовательное соединение светильников для внешнего управления
 - 6.5 Подключение светодиодного светильника к сети
8. **Осмотр, обслуживание и ремонт**
9. **Хранение и утилизация**
10. **Гарантия**

1. ВВЕДЕНИЕ

Благодарим вас за покупку светодиодного светильника Lumatek 100W Full Spectrum. В данном руководстве описано, как установить и использовать светильник; пожалуйста, внимательно прочитайте это руководство, прежде чем приступать к установке или эксплуатации любой системы Lumatek. Если вы не умеете устанавливать высокоэффективные системы освещения, обратитесь к квалифицированному специалисту по установке.

2. ОПИСАНИЕ ПРОДУКТА

Lumatek 100W Full Spectrum supplemental LED Light Bar - это электрический светодиодный светильник для садоводства с линейным дизайном ленты и умным удаленным светодиодным драйвером, обеспечивающим внешнее управление и диммирование. 100-ваттный светодиодный светильник Full Spectrum - это сверхвысокоэффективное решение для дополнительного верхнего освещения полного цикла для коммерческого садоводства и выращивания растений в закрытом грунте, обладающее мощностью и гибкостью для масштабирования: от размножения и клонирования через вегетативный рост до дополнения более высокой интенсивности света во время цветения.

Этот универсальный светодиодный светильник имеет те же диоды и производит такое же количество и спектр света, что и светильники серии Zeus Pro 2.9, но имеет отдельный выносной драйвер мощностью 100 Вт, что позволяет более гибко позиционировать тонкий светильник для более широкого применения.

Светильник мощностью 100 Вт можно использовать для размножения семян и клонов на площади 140 x 25 см или в качестве дополнительного освещения для заполнения зон вокруг существующих светодиодных систем или даже для повышения урожайности при использовании HID-систем.

В данном руководстве дополнительный светодиодный светильник Lumatek 100W Full Spectrum будет называться: «светодиодный светильник».

3. ИНФОРМАЦИЯ О ПРОДУКТЕ И ТЕХНИЧЕСКИЕ ХАРАКТЕРИСТИКИ

3.1 Общая информация о продукте

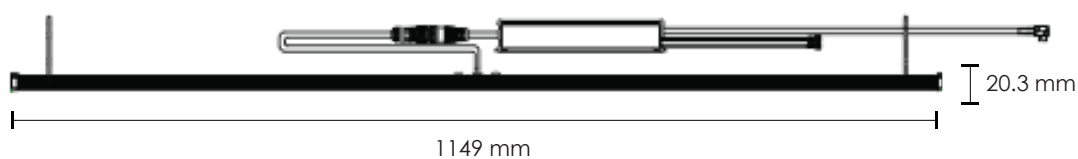
НАИМЕНОВАНИЕ ТОВАРА	100W Full Spectrum supplemental LED Light Bar
КОД ПРОДУКТА	LUMLED012
ПРОИЗВОДИТЕЛЬ	Lumatek EU
EAN	5060560031215
ТИП РОЗЕТКИ	UK/EU

3.2 Технические характеристики

PPF	295 мкмоль/с
ЭФФЕКТИВНОСТЬ	вплоть до 2.9 мкмоль/Дж
СПЕКТР	полный спектр
ИСТОЧНИК СВЕТА	более высокая спецификация LUMILEDS (W) & Osram (R) LED
ГАБАРИТНЫЕ РАЗМЕРЫ	1148 x 20 x 53mm
МАССА	1.1kg
ПРОДОЛЖИТЕЛЬНОСТЬ ЖИЗНИ	60000ч
РАБОЧАЯ ТЕМПЕРАТУРА	-20° -- +40°C
РАБОЧАЯ ВЛАЖНОСТЬ	20% - 90%
ВОДОНЕПРОНИЦАЕМЫЙ / ПЫЛЕПРОНИЦАЕМЫЙ	IP65
УГОЛ ЛУЧА	120°
MANUÁLNÍ OVLADAČ STMÍVÁNÍ / EXTERNÍHO OSVĚTLENÍ	0-10V сигнальный протокол

ВХОДНОЕ НАПРЯЖЕНИЕ (В)	КОЭФФИЦИЕНТ ЗАТЕМНЕНИЯ	ВХОДНАЯ МОЩНОСТЬ (Вт)	ВХОДНОЙ ТОК (А)
V _{mains} =230V 50/60Hz AC	100%	105	0.48
	75%	84	0.38
	50%	55	0.26
	25%	29	0.17
V _{mains} =240V 50/60Hz AC	100%	105	0.46
	75%	84	0.37
	50%	55	0.26
	25%	29	0.17
V _{mains} =277V 50/60Hz AC	100%	105	0.41
	75%	84	0.33
	50%	55	0.24
	25%	29	0.16

3.3 Размеры приспособления



Кабель для световой полосы 4000 мм (4 м)

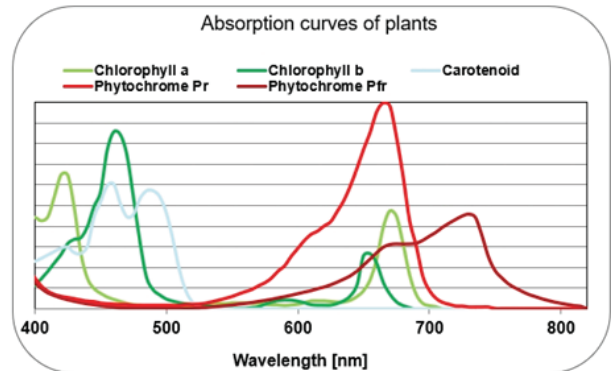
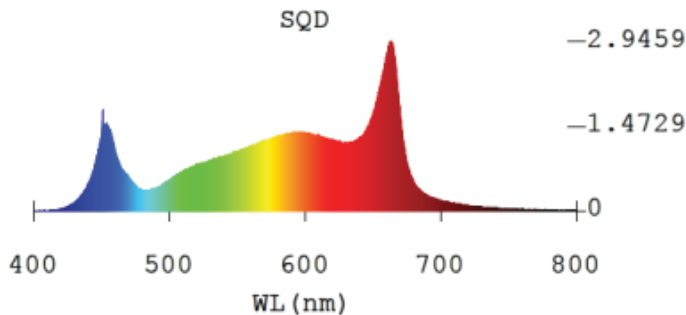
Кабель DIM IN 300 мм

Кабель DIM OUT 300 мм

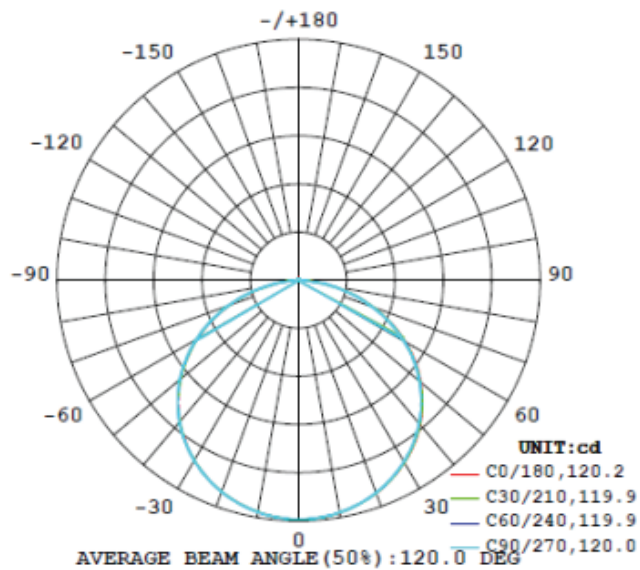
Кабель Power INPUT 4000 мм (4 м)

3.4 График спектрального квантового распределения

В световых полосах серии Zeus используются высокоэффективные белые и красные светодиоды LUMILEDS и Osram, создающие сбалансированный полный спектр качественного света, идеального для фотосинтеза. Full Spectrum F был разработан для полного цикла роста культур и слегка утяжелен для цветения.



3.5 Кривая светораспределения



3.6 Окружающая среда

Светодиодный светильник создан для использования в комнатах для выращивания с контролируемым климатом и на закрытых фермах. Он подходит для использования во влажной среде, но нельзя использовать в мокрой среде или на открытом воздухе.

Светильник будет работать при температуре окружающей среды от -10°C до 40°C, но оптимальный уровень составляет от 20°C до 30°C.

Он будет работать при влажности от 20% до 90% без конденсации.

3.7 Юридическая информация

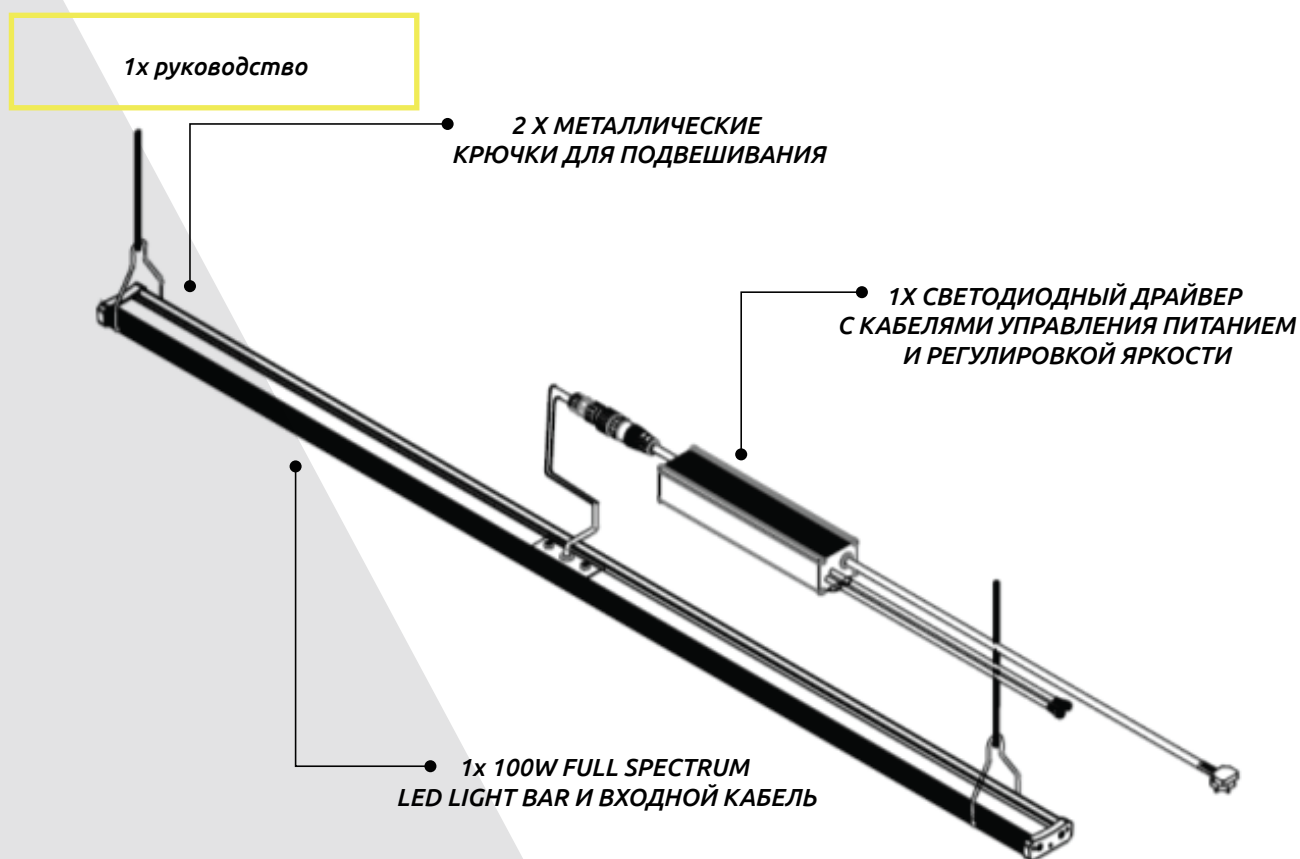
Этот продукт сертифицирован UKCA и CE в соответствии со стандартами испытаний LVD и директивы по электромагнитной совместимости.

4. РЕКОМЕНДАЦИИ И ПРЕДУПРЕЖДЕНИЯ ПО БЕЗОПАСНОСТИ

Предупреждение! Внимательно прочтите приведенные ниже предупреждения перед использованием или работой с продуктом!

- Всегда соблюдайте местные правила и нормы при установке или использовании светодиодного светильника.
- Не открывайте и не разбирайте светодиодный светильник, так как внутри он не содержит деталей, подлежащих обслуживанию. Открытие или изменение светодиодного светильника может быть опасным и приведет к аннулированию гарантии.
- Если светодиодный светильник или его кабель питания повреждены, не используйте светодиодный светильник. Заменяйте шнур питания только на кабель правильного номинала.
- Модификация кабелей может привести к нежелательным электромагнитным эффектам, которые могут нарушить соответствие продукта требованиям законодательства.
- Не подвергайте светодиодный светильник воздействию:
 - Конденсирующая влажность, сильный туман или прямое распыление;
 - Температура окружающей среды вне указанного диапазона;
 - Пыль и загрязнения;
 - Прямой солнечный свет во время использования или СКРЫТЫЙ свет, который способствует нагреву драйвера.
- Перед выполнением любого обслуживания всегда отключайте светодиодный светильник от сети.
- Всегда дайте остыть светодиодному светильнику не менее 20-30 минут, прежде чем прикасаться к нему. Прикосновение к светодиодному светильнику, когда он горит, или сразу после него, может привести к ожогам!
- Естественная конвекция отводит тепло от радиатора. Для того, чтобы система слишком хорошо остыла, необходимо как минимум 5 см пространства между приспособлением и крышей вашего участка для выращивания.
- Не используйте абразивные материалы или агрессивные чистящие средства для очистки светодиодного светильника, так как это может повредить вторичную оптику. Вместо этого используйте чистую влажную или сухую ткань / ткань.
- Не используйте светодиодный светильник рядом с легковоспламеняющимися, взрывчатыми или химически активными веществами. Светодиодный светильник может нагреваться до 40°C.
- Не используйте испарители серы или водяные густые растворы.
- Конечный пользователь несет ответственность за установку и использование светодиодного светильника. Неправильное использование или установка может привести к выходу из строя и повреждению светодиодного светильника. Повреждение светодиодного светильника и электронных схем в результате неправильной установки и использования аннулирует гарантию.

5. СОДЕРЖАНИЕ



6. УСТАНОВКА

Предупреждение! Монтаж и установка светодиодного светильника должны производиться в соответствии с применимыми местными законами и правилами.

Предупреждение! Установщик несет ответственность за правильную и безопасную установку.

Предупреждение! Убедитесь, что местная кабельная разводка может поддерживать требования к напряжению и току светодиодного светильника.

Предупреждение! Избегайте скрученных кабелей и держите кабели отдельно друг от друга, чтобы предотвратить электромагнитные помехи.

Предупреждение! Не подключайте и не отключайте светодиодный светильник под нагрузкой.

6.1 Сборка и установка приспособления

Внимание! Монтируйте систему на то, что может выдержать вес светодиодного светильника.

ВНИМАНИЕ! Светильник поставляется с защитной пластиковой крышкой над диодами. Перед использованием убедитесь, что эта защитная крышка снята!

Вставьте металлические крючки для подвеса в монтажные отверстия на каждой стороне планки с обоих концов.

Подвесьте светильник в нужном положении и на нужной высоте.

Светильник можно подвесить горизонтально над навесом растений или вертикально сбоку для дополнительного освещения.

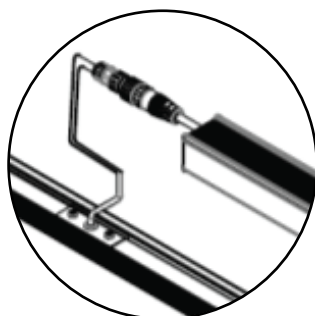
Для достижения оптимальной производительности расположите светильник на расстоянии 15-40 см от растений.



6.2 Подключение и отключение светодиодного драйвера

Расположите светодиодный драйвер соответствующим образом, убедившись, что он не находится под прямым солнечным или HID-светом, чтобы избежать перегрева, и не стоит непосредственно на полу, где он может соприкасаться с водой или питательными веществами.

Чтобы подключить выход драйвера к светильнику, убедитесь, что разъем кабеля питания драйвера OUTPUT правильно выровнен с соответствующим разъемом кабеля планки освещения и нажмите вместе до щелчка. Чтобы отсоединить, поверните разъем с замком против часовой стрелки, чтобы разблокировать, и потяните в сторону.



Убедитесь, что разъемы замка-скрутки правильно выровнены, затем сдвиньте их вместе до щелчка. Поверните замок против часовой стрелки и потяните в сторону, чтобы отсоединить.

6.3 Подключение ручного диммера или внешнего контроллера освещения и регулировка интенсивности света (диммирование)

Интенсивность света светодиодного светильника можно регулировать без изменения спектра или потери эффективности. Это означает, что PPF может быть отрегулирована до нужного уровня для циклов размножения, клонирования, вегетативного и цветущего роста.

Светодиодный светильник может быть подключен к ручному регулятору яркости 0-10 В или универсальному световому контроллеру Lumatek Control Panel Plus (все продаются отдельно) через кабель диммирования DIM IN на драйвере, что позволяет регулировать интенсивность света (уровень PPF) в диапазоне от 20% до 100% светового потока.

Регулятор яркости или контроллер освещения подключается к разъему кабеля диммирования DIM IN на драйвере светильника;

Убедитесь, что разъемы правильно выровнены, затем сдвиньте их вместе до щелчка. Чтобы разблокировать: поверните фиксатор против часовой стрелки и потяните в сторону.

6.4 Последовательное подключение светильников для внешнего управления

Подробные инструкции приведены в руководстве по эксплуатации панели управления Lumatek.

Несколько светильников могут быть соединены последовательно для одновременного переключения и управления яркостью с помощью панели управления Lumatek Control Panel Plus или любого универсального светорегулятора 0-10 В.

Расположите и подвесьте каждый светильник соответствующим образом. Для управления светодиодными светильниками Lumatek используется протокол сигнала 0-10 В.

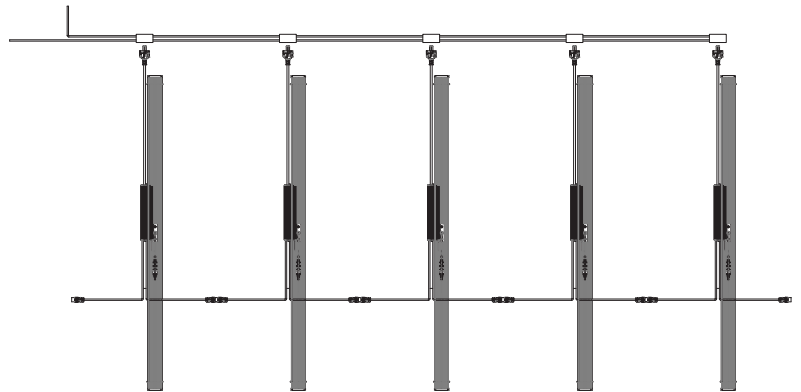
- Подключите выходной кабель контроллера к разъему кабеля диммирования светильника 1 DIM IN.

Затем либо;

- Подключите кабель диммирования DIM OUT светильника 1 к кабелю диммирования DIM IN светильника 2...и т.д.

ИЛИ

- Подключите цепочечный кабель управляющего сигнала (продается отдельно) от разъема DIM OUT светильника 1 к разъему DIM IN светильника 2.
- Продолжайте подключать светильники последовательно, чтобы на один



6.5 Подключение светодиодного светильника к сети

Внимание! Убедитесь, что питание от сети выключено.

Внимание! Убедитесь, что кабель питания не смотан и не касается горячих поверхностей.

Внимание! Подключайте кабели в соответствии с местными правилами, нормами безопасности и электротехническими нормами.

Внимание! Если не используется внешний контроллер освещения, убедитесь, что внешнее коммутационное оборудование может выдержать пусковой ток светодиодного светильника.

Внимание! Не подключайте и не отключайте светодиодный светильник под нагрузкой. Подключите вилку сетевого питания к коммутационному аппарату/блоку питания.

Включите сетевое питание.

7. ОСМОТР, ОБСЛУЖИВАНИЕ И РЕМОНТ

Предупреждение! Отключите светодиодный светильник от сети перед выполнением любых работ по техническому обслуживанию или ремонту.

Предупреждение! Не подключайте и не отключайте светодиодный светильник под нагрузкой.

Предупреждение! Не открывайте и не разбирайте светодиодный светильник, внутри он не содержит обслуживаемых деталей. Открытие светодиодного светильника может быть опасным и приведет к аннулированию гарантии.

Предупреждение! Всегда ждите 20-30 минут, пока светодиодные полосы остынут, прежде чем брать их в руки.

Осторожно! Не очищайте светодиодный светильник моющими, абразивными или другими агрессивными веществами.

Проверяйте регулярно светодиодный светильник на предмет скопления пыли или грязи. В случае необходимости произведите очистку. Загрязнение может вызвать перегрев и снижение производительности.

8. ХРАНЕНИЕ И УТИЛИЗАЦИЯ

Необходимо хранить светодиодный светильник в сухом и чистом месте при температуре окружающей среды от -25°C до 55°C.

Продукт нельзя выбрасывать вместе с несортированными бытовыми отходами, его следует собирать отдельно с целью обработки, восстановления и экологически безопасной утилизации.

9. ГАРАНТИЯ

Lumatek обеспечивает гарантию того, что механические и электронные компоненты данного продукта не имеют дефектов материалов и изготовления, если они используются в нормальных условиях эксплуатации в течение пяти (5) лет с даты первоначальной покупки. Если в течение этого периода в продукте обнаруживаются какие-либо дефекты, и этот дефект не является результатом ошибки пользователя или неправильного использования, Lumatek по своему усмотрению заменит или отремонтирует продукт, используя подходящие новые или восстановленные продукты или детали. В случае, если Lumatek решит заменить весь продукт, эта ограниченная гарантия будет применяться к замененному продукту в течение оставшегося первоначального гарантийного периода, то есть пяти (5) лет с даты покупки оригинального продукта. Для гарантийного обслуживания верните товар в магазин с оригиналом товарного чека.



STAY UP TO DATE WITH OUR **SOCIAL MEDIA** CHANNELS



GENERAL : info@lumatek-lighting.com
SALES SUPPORT : orders@lumatek-lighting.com
TECHNICAL SUPPORT : techsupport@lumatek-lighting.com
CONTACT : +44(0)1233 280567

VISIT US AT **WWW.LUMATEK-LIGHTING.COM**